

RC10 F16 FACTORY TEAM

#8023 RC10F6 Factory Team Kit



1:10 Scale Electric 2WD On Road Competition Race Car Kit Manual & Catalog

TEAM ASSOCIATED



Designed in California, USA

:: Introduction

Thank you for purchasing this Team Associated product. This assembly manual contains instructions and tips for building and maintaining your new RC10F6 Kit. Please take a moment to read through this manual to help familiarize yourself with these steps. We are continually changing and improving our designs; therefore, actual parts may appear slightly different than in the illustrations. New parts will be noted on supplementary sheets located in the appropriate parts bags. Check each bag for these sheets before you start to build.

:: KIT Features

Features in the RC10F6 Kit:

- 2.5mm graphite chassis for superior flex characteristics
- Front and rear wings modeled after 2017 F1 rules included
- Genuine Fox Kashima Coated center shock for minimal friction and extended wear
- Chassis design allows for multiple battery configurations
- New center pivot design for optimized rear pod assembly
- Light weight graphite axle for increased durability and rigidity
- Differential thrust bearing assembly for smooth action and extended life between rebuilds
- Rear axle accepts all standard spur gears without adapter
- Two steering bellcrank options for fine tuning Ackermann and steering rate
- Servo mounts can be switched from "fixed" to "floating" to allow more flex in the front of the chassis
- Integrated droop posts for adjusting droop without disassembly

:: Additional

Your new RC10F6 comes unassembled and requires the following items for completion. (refer to catalog section for suggestions):

- 1:10 scale electric motor
- 3.7V-7.4V LiPo, or 6.0V LiFe with "shorty" battery dimensions
- 2-channel surface transmitter
- 1:10 scale formula wheels and rubber (or foam) formula tires
- Polycarbonate specific spray paint for body
- Electronic speed control
- Battery charger
- 2-channel receiver
- Steering servo
- 1:10 scale polycarbonate formula body

:: Other Helpful Items

- Silicone Shock Fluid (Refer to catalog for complete listings)
- Silicone Diff Fluid (Refer to catalog for complete listings)
- FT Hex Wrenches / Nut Drivers (AE Part #1518, 1519)
- FT Turnbuckle Wrench (AE Part #1114)
- Needle nose pliers
- Soldering iron
- Body scissors (AE Part #1737)
- Reamer/Hole Punch
- FT TC Ride Height Gauge (AE Part #1452)
- Hobby knife
- Wire cutters
- Calipers or a precision ruler





Associated Electrics, Inc.
26021 Commercentre Dr.
Lake Forest, CA 92630











Customer Service
Tel: 949.544.7500
Fax: 949.544.7501

:: Hardware - 1:1 Scale View









Button Head (bhcs)

-  **2x4mm (31510)**
FT 2x4mm Aluminum (8545)
-  **3x6mm (31531)**
FT 3x6mm Aluminum (8550)
FT 3x6mm Titanium (91580)
-  **3x8mm (31532)**
FT 3x8mm Aluminum (8552)
FT 3x8mm Titanium (91581)
-  **3x10mm (25211)**
FT 3x10mm Aluminum (8554)
FT 3x10mm Titanium (91582)







Ballstuds

-  **Black 3.25mm Short (31390)**
FT TiN 3.25mm Short (31374)
-  **Silver 3.25mm Long (31391)**
FT TiN 3.25mm Long (31375)
-  **Black 5mm Short (31280)**
FT TiN 3x5mm Short (31288)
-  **Silver 5mm Long (31283)**
FT TiN 3x5mm (31291)
-  **Black 8mm Short (31281)**
FT TiN 3x8mm Short (31289)
-  **Silver 8mm Long (31284)**
FT TiN 3x8mm Long (31292)
-  **Black 10mm Short (31282)**
FT TiN 3x10mm Short (31290)
-  **Silver 10mm Long (31285)**
FT TiN 3x10mm Long (31293)





Nuts (lock/plain)

-  **M3 Plain Nut (91477)**
-  **M3 Alum. Locknut, Blue (31550)**
-  **M3 Locknut, Black (25215)**
-  **M3 Locknut w/Flange, Black (25612)**
-  **FT 3mm Locknuts, Blue (25392)**
-  **M4 Locknut w/Flange and Knurl (91148)**
-  **FT M4 Locknut, Blue (31551)**
-  **M4 Locknut, Serrated (91738)**

Flat Head (fhcs)

-  **2x6mm (4674)**
FT 2x6mm Aluminum (8547)
-  **2.5x6mm (4675)**
FT 2.5x6mm Aluminum (8549)
-  **3x6mm (31541)**
FT 3x6mm Aluminum (8551)
-  **3x8mm (25201)**
FT 3x8mm Aluminum (8553)
FT 3x8mm Titanium (91592)
-  **3x10mm (25202)**
FT 3x10mm Aluminum (8555)
FT 3x10mm Titanium (91593)
-  **4x14mm (89217)**
FT 4x14mm Aluminum (8571)

Ball Bearings

-  **FT Bearing (8680)**
5x8x2.5mm
-  **Bearing (91560)**
5x10x4mm
-  **FT Bearing, Flanged (8681)**
.250x.375x.125
-  **FT Bearing (8682)**
.250x.375x.125



Pivot Balls

-  **Hard Anodized Pivot Ball (4637)**
-  **Suspension Arm Pivot Ball Upper (4755)**
-  **Suspension Arm Pivot Ball Lower (4755)**









Socket Head (shcs)

-  **2x6mm (7186)**
-  **2.5x12mm (8691)**

Set screw

-  **3x3mm (25225)**
-  **3x8mm (4670)**
-  **3x10mm (4671)**

Shims and Washers

-  **.030 Washer (9630)**
-  **Kingpin Shim (8425)**
-  **Blue Aluminum Ballstud Washer 0.5mm (31381)**
-  **Blue Aluminum Ballstud Washer 1mm (31382)**
-  **Blue Aluminum Ballstud Washer 2mm (31383)**
-  **2.6x6mm Steel Washer (21139)**
-  **Aluminum Bulkhead Washer 0.5mm (31384)**
-  **Aluminum Bulkhead Washer 1mm (31385)**
-  **Aluminum Bulkhead Washer 2mm (31386)**
-  **Rear Axle Shim .005" (4554)**
-  **Bellville Washer (4737)**
-  **FT Thrust Bearing (8683)**
4.15x10mm & 4x9.85mm

Notes:

:: Table of Contents

1..... Cover	11 - 12.....Axle Build (Bag 4.1, 4.2)
2..... Introduction	13 - 15.....Wings, Electronics, Wheel and Body Build (Bag 5.1, 5.2)
3..... 1:1 Hardware "Fold Out"	16 - 17.....Optional Forward Servo Build
4..... Table of Contents	17..... Notes
5 - 6.....Shock, Damper Tubes & Turnbuckles Build (Bag 1.1, 1.2)	18 - 23.....Catalog
6 - 9.....Front Suspension Build (Bag 2.1, 2.2)	24.....Kit Setup Sheet
9 - 11.....Rear Suspension Build (Bag 3.1, 3.2)	24.....Blank Setup Sheet
	42.....Back Cover

:: Notes

This symbol indicates a special note or instruction in the manual.



This symbol indicates a Racers Tip.



Scanning this QR code will take you to Team Associated's Tech Tips videos. These videos will help you with your build and setup!



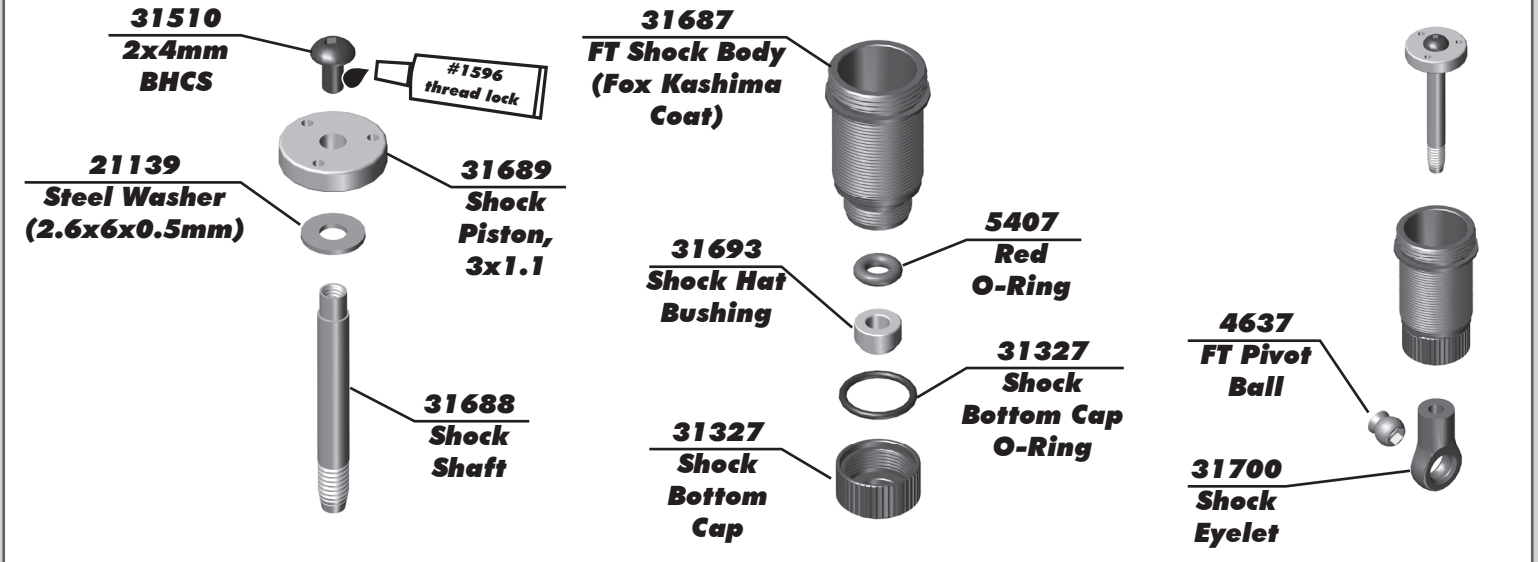
There is a 1:1 hardware foldout page in the front of the manual. To check the size of a part, line up your hardware with the correct drawing until you find the exact size. Each part in the foldout has a number assigned to it for ordering replacement parts.

**Associated Electrics, Inc.
26021 Commercentre Dr.
Lake Forest, CA 92630**

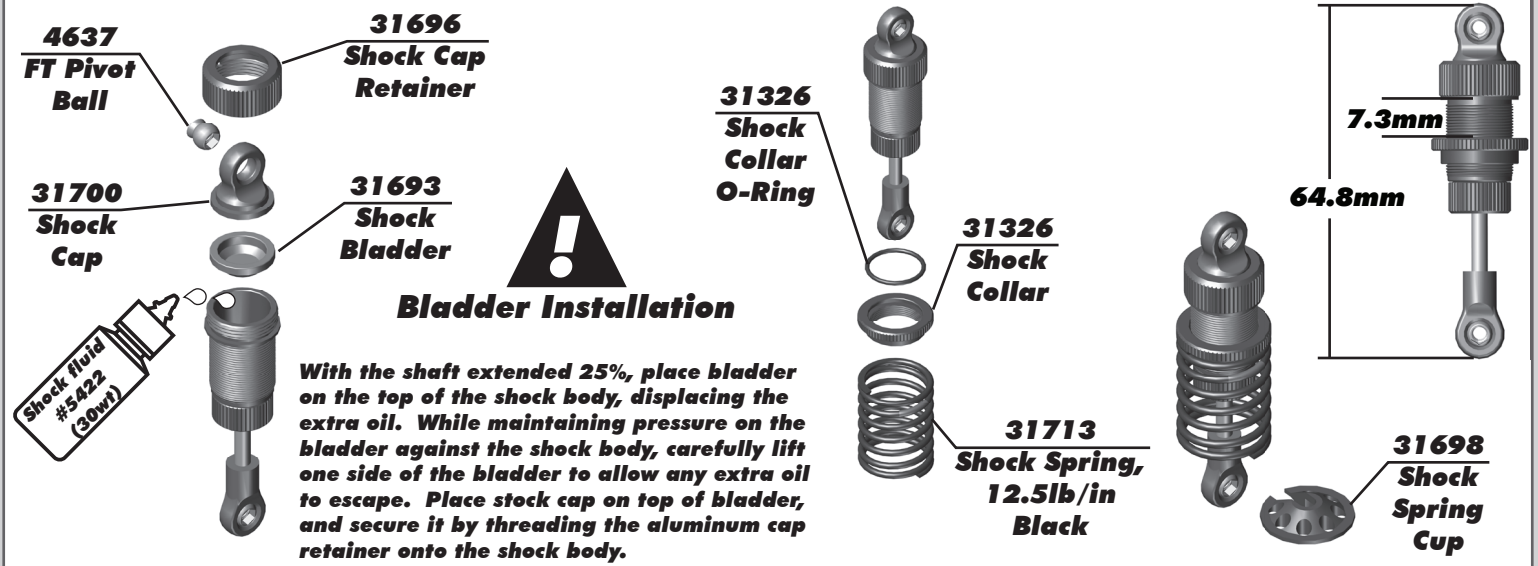


**Customer Service
Tel: 949.544.7500
Fax: 949.544.7501**

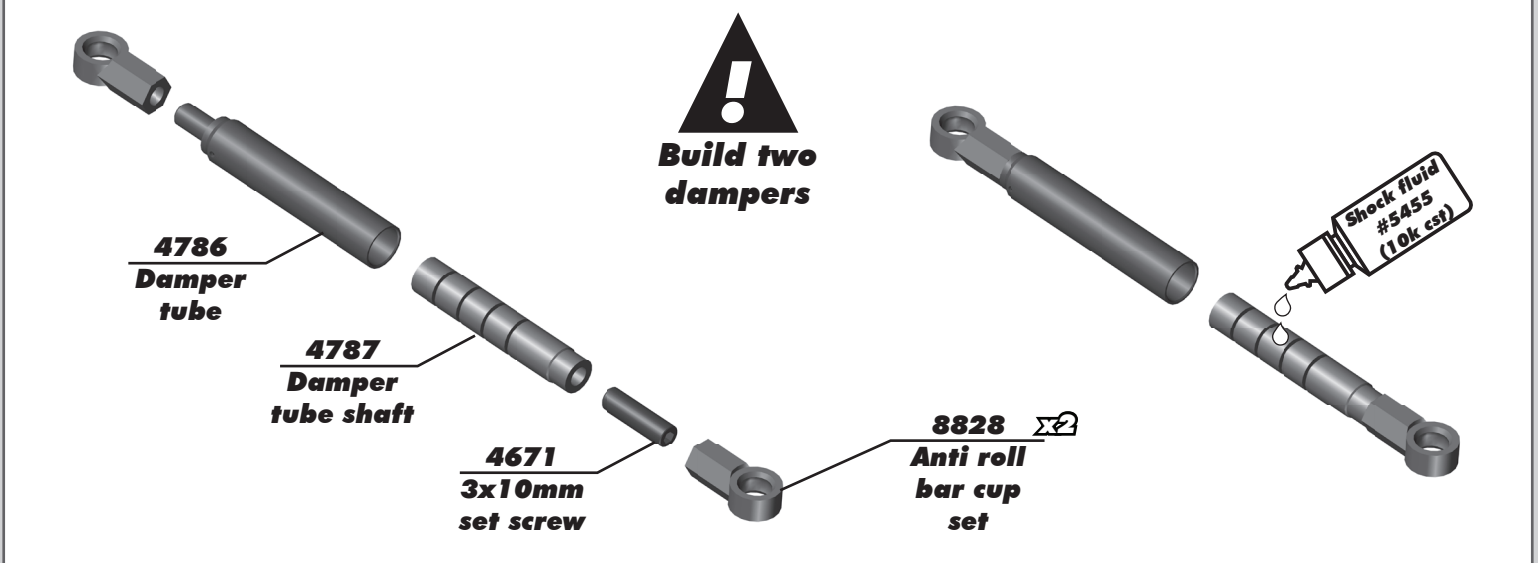
:: Center Shock Build - Bag 1.1, 1.2 - Step 1



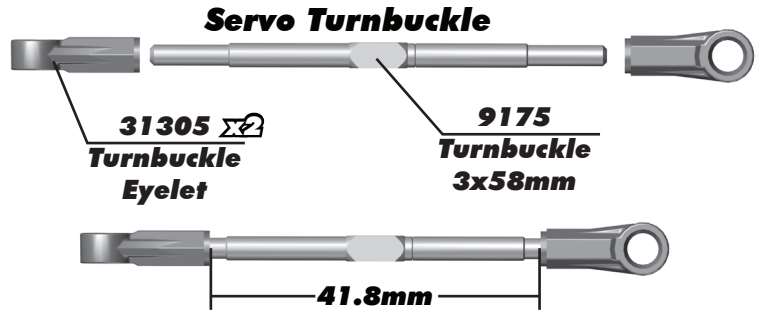
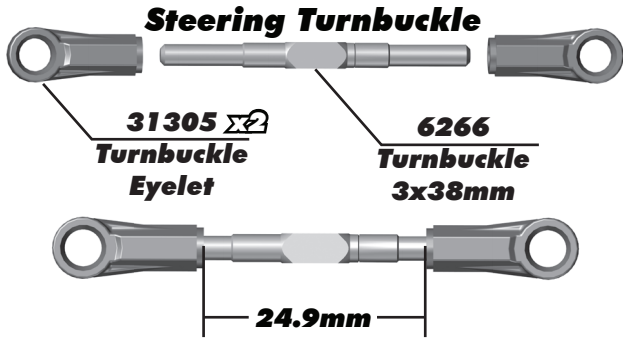
:: Center Shock Build - Bag 1.1, 1.2 - Step 2



:: Damper Tubes Build - Bag 1.1, 1.2 - Step 3

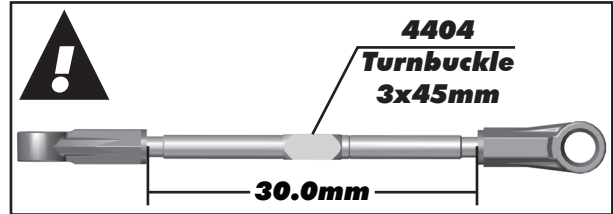


:: Turnbuckles Build - Bag 1.1, 1.2 - Step 4

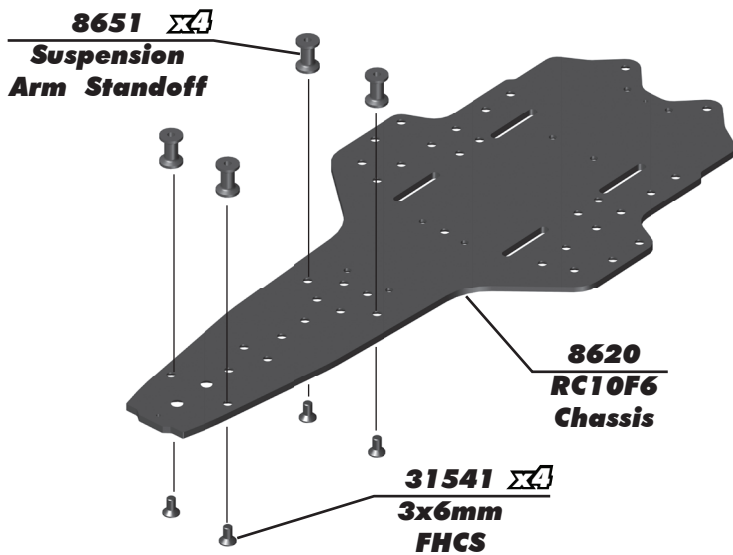


Build two Steering turnbuckles

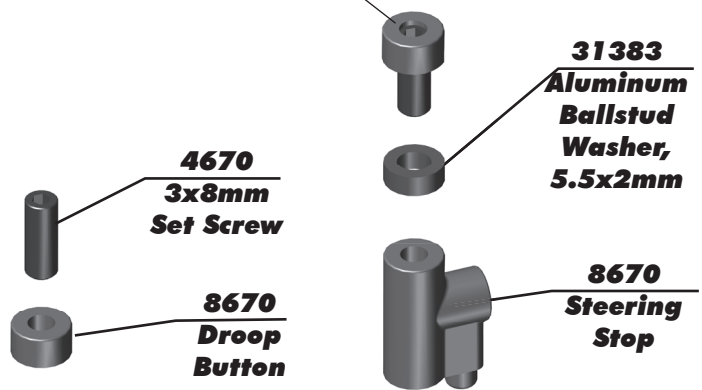
For Long Steering Bellcrank, use #4404 45mm Turnbuckle [See page 9]



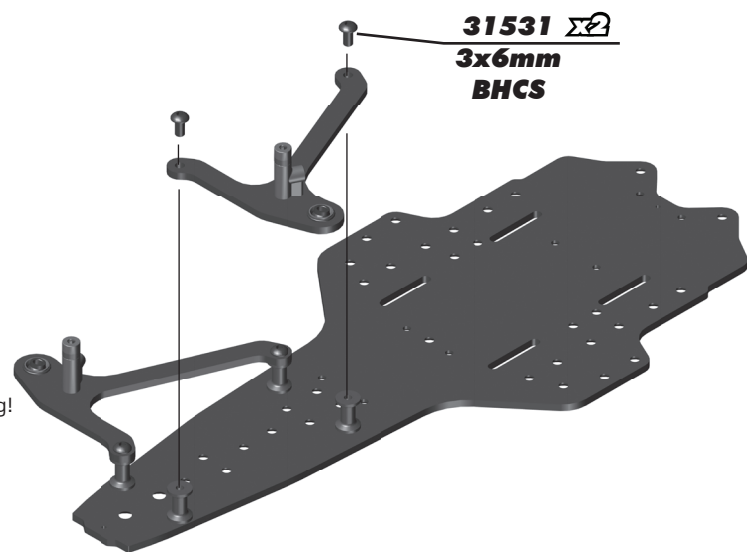
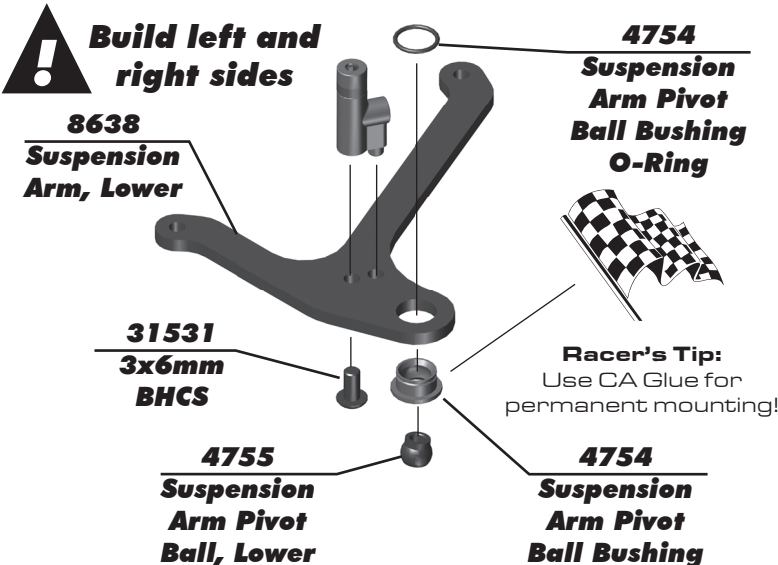
:: Front Suspension Build - Bag 2.1, 2.2 - Step 1



Install #4670 Set Screw just past the top of the Droop Button as shown. Use Aluminum Ballstud Washers to adjust your droop settings!

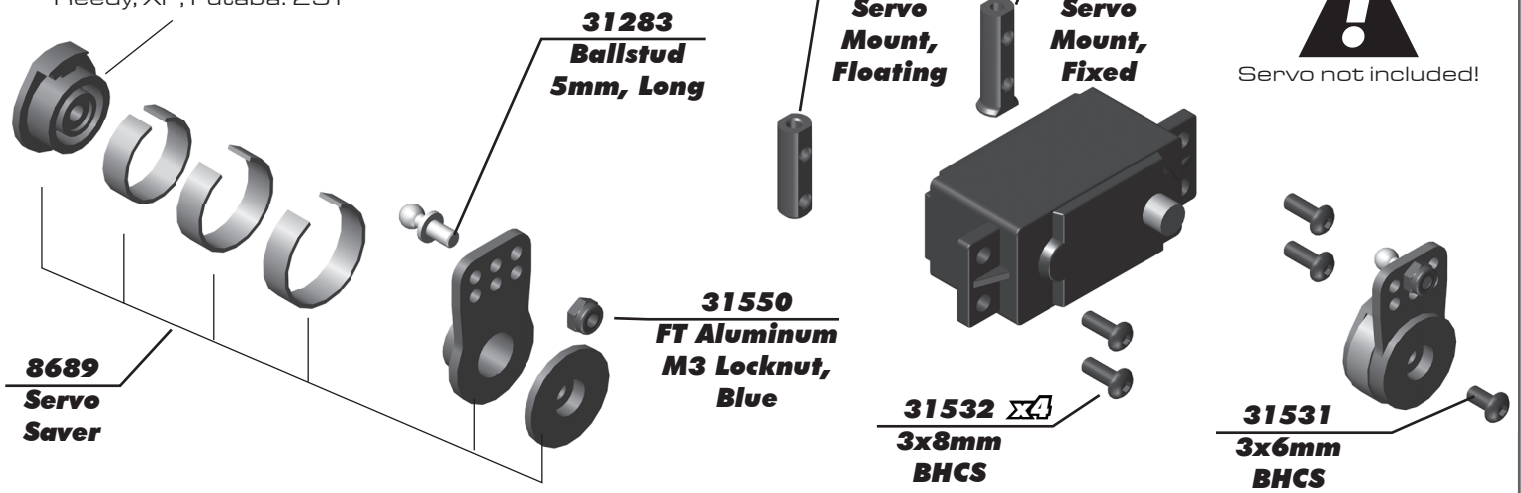


:: Front Suspension Build - Bag 2.1, 2.2 - Step 2

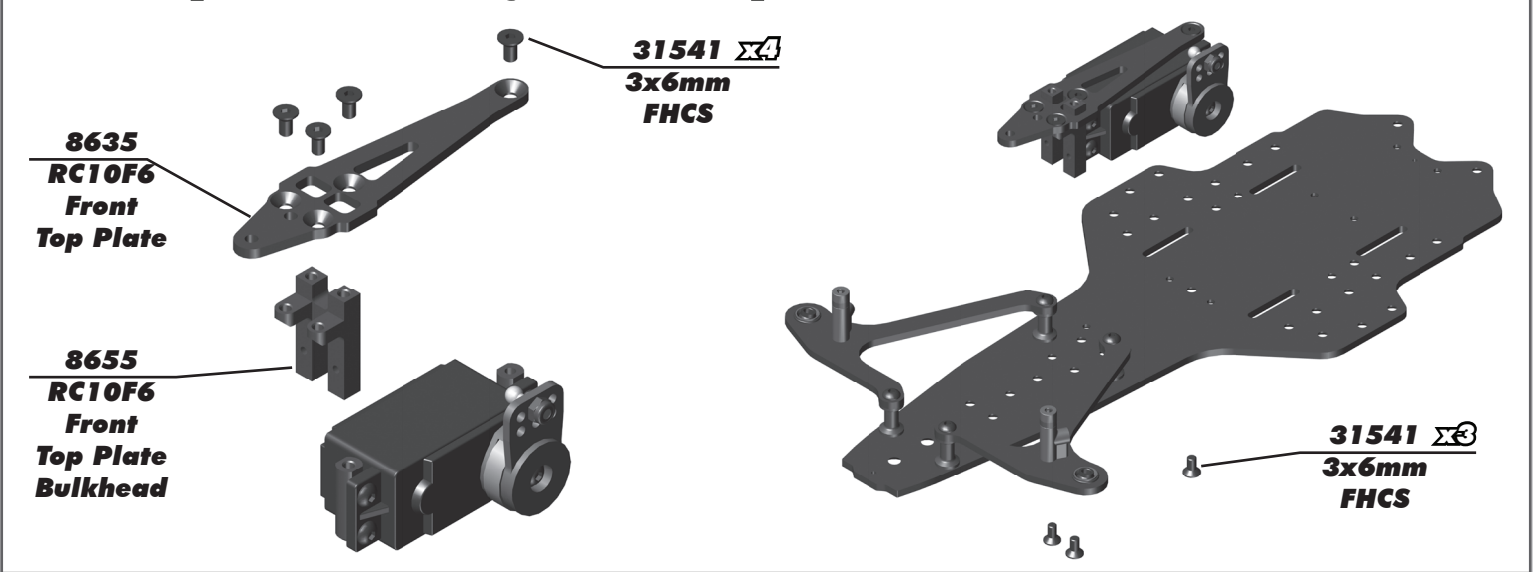


:: Front Suspension Build - Bag 2.1, 2.2 - Step 3

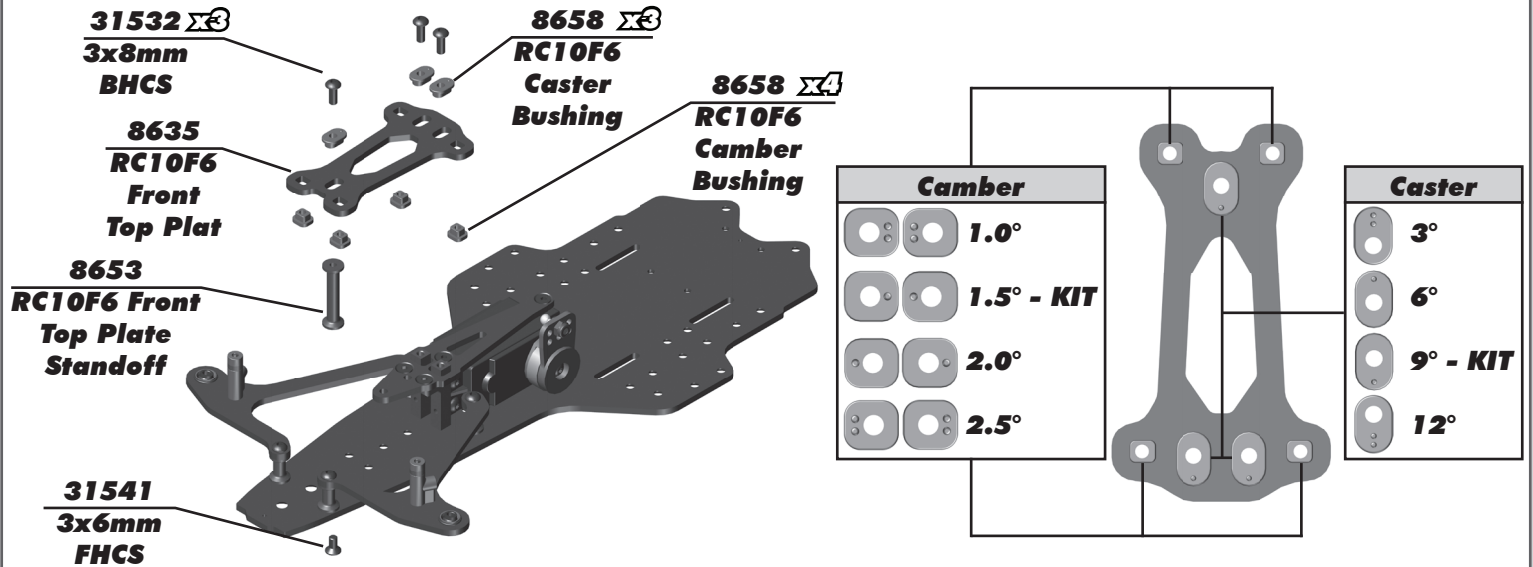
KO, Jr, Sanwa, Airtronics : 23T
 Hi Tec: 24T
 Reedy, XP, Futaba: 25T



:: Front Suspension Build - Bag 2.1, 2.2 - Step 4



:: Front Suspension Build - Bag 2.1, 2.2 - Step 5



:: Front Suspension Build - Bag 2.1, 2.2 - Step 6

4755 $\Sigma 3$
Suspension Arm Pivot Ball, Upper

4754 $\Sigma 3$
Suspension Arm Pivot Ball Bushing

25211 $\Sigma 2$
3x10mm BHCS

31381 $\Sigma 2$
Aluminum Ballstud Washer, 5.5x0.5mm

4754 $\Sigma 3$
Suspension Arm Pivot Ball Bushing O-Ring

8638
Suspension Arm, Upper

Racer's Tip:
Use CA Glue for permanent mounting!

Build left and right sides

:: Front Suspension Build - Bag 2.1, 2.2 - Step 7

25225
3x3mm Set Screw

31283
Ballstud 5mm, Long

8667
RC10F6 Front Axle

8441
Inline Steering Blocks

4119
Springs, .016, Short

8663
3x31mm Kingpin

6299 $\Sigma 2$
E-Clip

31382 $\Sigma 2$
Aluminum Ballstud Washer, 5.5x1mm

Diff Fluid #5455 10k

Build left and right sides

:: Front Suspension Build - Bag 2.1, 2.2 - Step 8

31283 $\Sigma 2$
Ballstud 5mm, Long (Silver)

31383 $\Sigma 2$
Aluminum Ballstud Washer, 5.5x2mm

31280
Ballstud 5mm, Short (Black)

31531
3x6mm BHCS

8680 $\Sigma 2$
Bearing 5x8x2.5mm

8670
RC10F6 Steering Bellcrank, Short

8670
Steering Bellcrank Post

Place your thumb on top of the kingpin and finger on bottom of the steering block. Hold the steering block against the upper arm. Then tighten set screw.

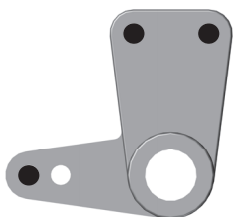
Set gap by tightening #25225 set screw on #8663 kingpin

:: Front Suspension Build - Bag 2.1, 2.2 - Step 9

#8670 Steering Bellcranks

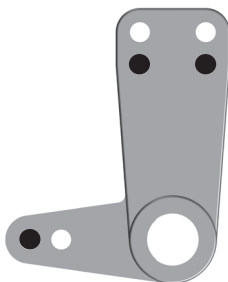
Steering Bellcrank, Short

Kit Setup

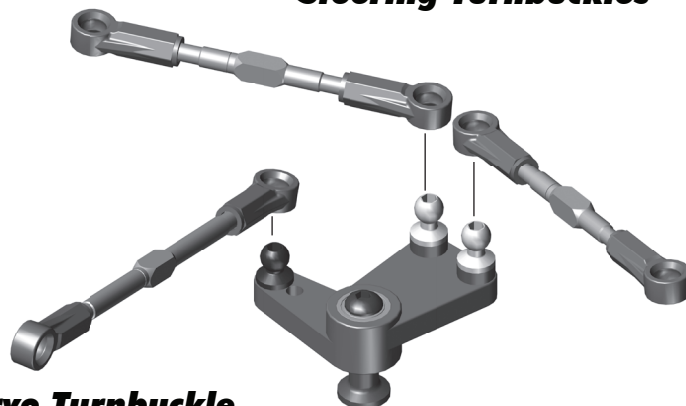


Steering Bellcrank, Long

Use for tuning adjustment of steering rate.
Requires #4404 - 45mm Steering Turnbuckle (included)



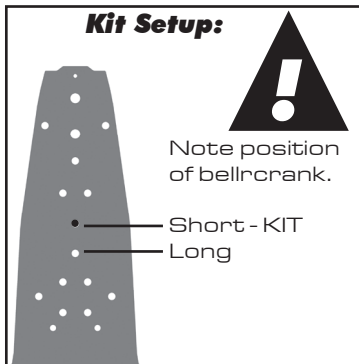
Steering Turnbuckles



Servo Turnbuckle

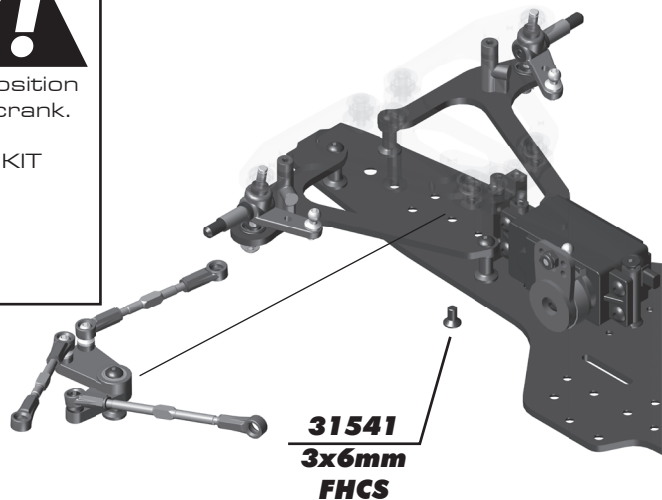
:: Front Suspension Build - Bag 2.1, 2.2 - Step 10

Kit Setup:

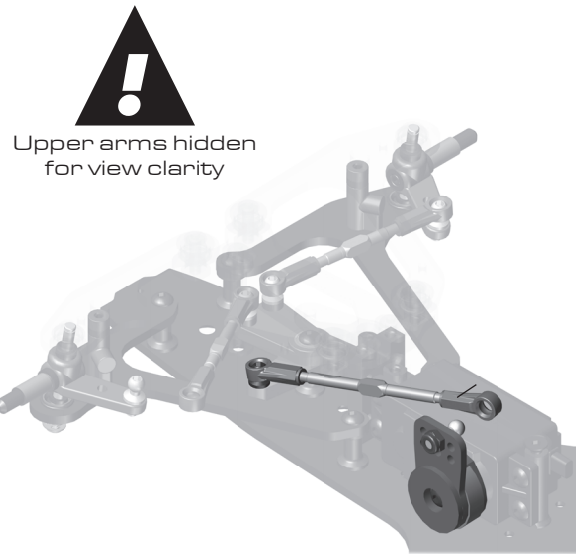


Note position of bellcrank.

• Short - KIT
• Long



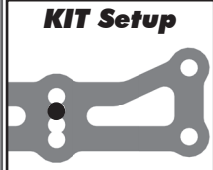
31541
3x6mm
FHCS



Upper arms hidden for view clarity

:: Rear Suspension Build - Bag 3.1, 3.2 - Step 1

KIT Setup



8629
Motor
Mount Brace

8651 **x2**
Suspension
Arm Standoff



4728
Pivot Brace
Slider

31531 **x4**
3x6mm
BHCS

8644
Motor
Mount

31531 **x2**
3x6mm
BHCS

4637
FT Pivot
Ball

8645
Left Rear
Bulkhead

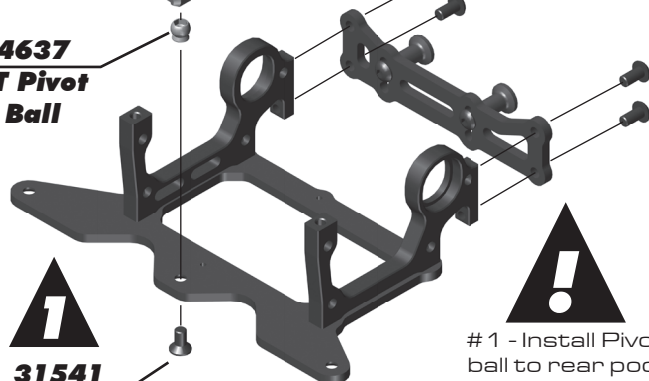


31541
3x6mm
FHCS

8624
Lower Pod
Plate

31541 **x4**
3x6mm
FHCS

#1 - Install Pivot ball to rear pod.
#2 - Snap pivot brace slider onto Pivot Ball.



:: Rear Suspension Build - Bag 3.1, 3.2 - Step 2

1
4726
Pivot
Brace

2

31541 $\Sigma 2$
3x6mm
FHCS

4728
Rear
Pod Link

4637 $\Sigma 2$
FT Pivot
Ball

7186 $\Sigma 2$
2x6mm
SHCS

! #1 - Install Pivot
brace to chassis.
#2 - Slide rear pod
into pivot brace.

! Use #7186 SHCS
to adjust for free
ball movement.

! **Build two!**

:: Rear Suspension Build - Bag 3.1, 3.2 - Step 3

! **Build left and
right sides**

2230
Body
Mounts

4670
3x8mm
Set Screw

31280
Ballstud
5mm, Short
(Black)

31550
FT Aluminum
M3 Locknut,
Blue

4707
Side
Spring
Retainer

4794
Side Spring,
5.8lb/in - Blue

8631
Chassis
Brace
(left)

31532
3x8mm
BHCS

31541 $\Sigma 2$
3x6mm
FHCS

:: Rear Suspension Build - Bag 3.1, 3.2 - Step 4

31531
3x6mm
BHCS

8642
Chassis
Brace
Standoff

31541 $\Sigma 2$
3x6mm
FHCS

31382
Aluminum
Ballstud
Washer,
5.5x1mm

31550 $\Sigma 3$
FT Aluminum
M3 Locknut,
Blue

8627
Upper Pod
Plate

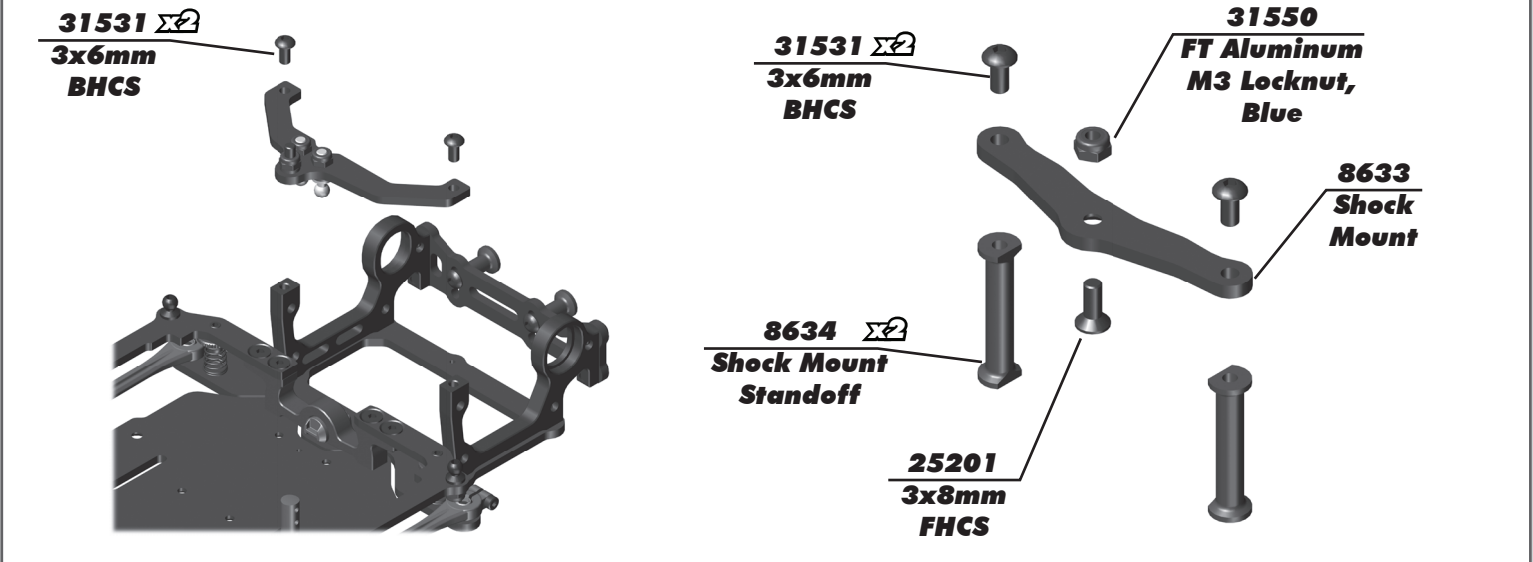
25211
3x10mm
BHCS

31284 $\Sigma 2$
Ballstud
Long, 8mm
(Silver)

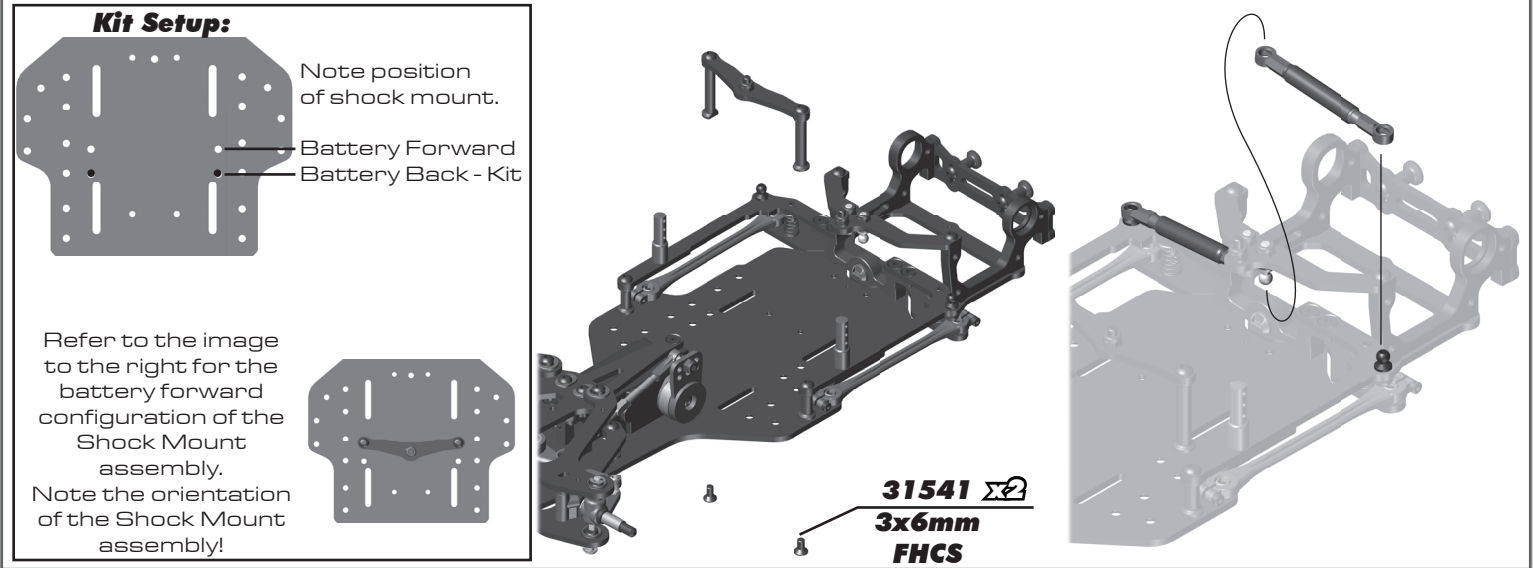
31383 $\Sigma 2$
Aluminum
Ballstud
Washer,
5.5x2mm

31541
3x6mm
FHCS

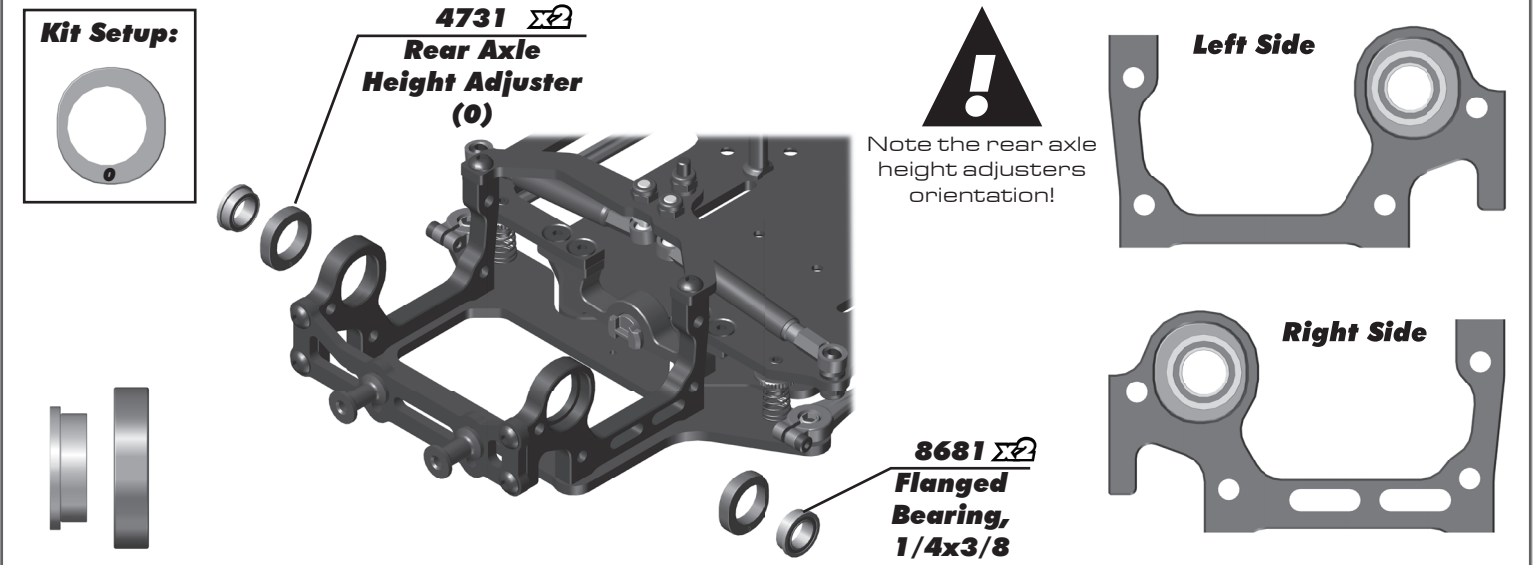
:: Rear Suspension Build - Bag 3.1, 3.2 - Step 5



:: Rear Suspension Build - Bag 3.1, 3.2 - Step 6



:: Rear Axle Build - Bag 4.1, 4.2 - Step 1



:: Rear Axle Build - Bag 4.1, 4.2 - Step 2

8648
RC10F6
Wheel
Hub, Left

8691 $\times 2$
2.5x12mm
SHCS

4735
Rear Axle

6619 $\times 12$
FT Carbide
Diff Balls,
1/8"

#6636
Silicone grease

8646
RC10F6
Wheel Hub,
Right

#6588
black grease

8504 $\times 2$
D-Drive
Rings

4616
Spur Gear,
88T, 64P

8682 $\times 3$
FT Bearing
1/4"x1/8"

4736
Diff Thrust
Cone

8683
FT Thrust
Bearing
(4x10mm)

4737 $\times 2$
Bellville
Washer

89216
M4 LockNut

Thrust Bearing Setup:
Note orientation!

Inside Washer	Outside Washer
4.15	4.00
10.00	9.85

Bellville Washer Setup:
Note orientation!
Curves facing outward

!
Tighten #89216
M4 Locknut so the spur
gear does not slip!

:: Rear Axle Build - Bag 4.1, 4.2 - Step 3

25225
3x3mm
Set Screw

8646
Wheel
Hub Pin

8646
Wheel
Hub Cap

:: Wings / Electronics / Wheels Build - Bag 5.1, 5.2 - Step 1

31382 $\Sigma 2$
Aluminum Ballstud Washer, 5.5x1 mm

25211 $\Sigma 2$
3x10mm BHCS

!
Motor and pinion/
set screw not included!

:: Wings / Electronics / Wheels Build - Bag 5.1, 5.2 - Step 2

!

Gearing will depend on the motor and track size. Motor, pinion gear, and set screw are not included!

Set The Gear Mesh:

You should be able to rock the spur gear back and forth, without making the teeth of the pinion move. If the spur gear mesh is tight, then loosen the #25211 screws and move the motor away, then try again. A gear mesh that is too tight or too loose will reduce power and damage the gear teeth.

:: Wings / Electronics / Wheels Build - Bag 5.1, 5.2 - Step 3

8676
Wing, Front

8676 $\Sigma 2$
Wing Diffuser

4674 $\Sigma 2$
2x6mm FHCS

4535
Front Body Mount

8677
Wing Plate, Front

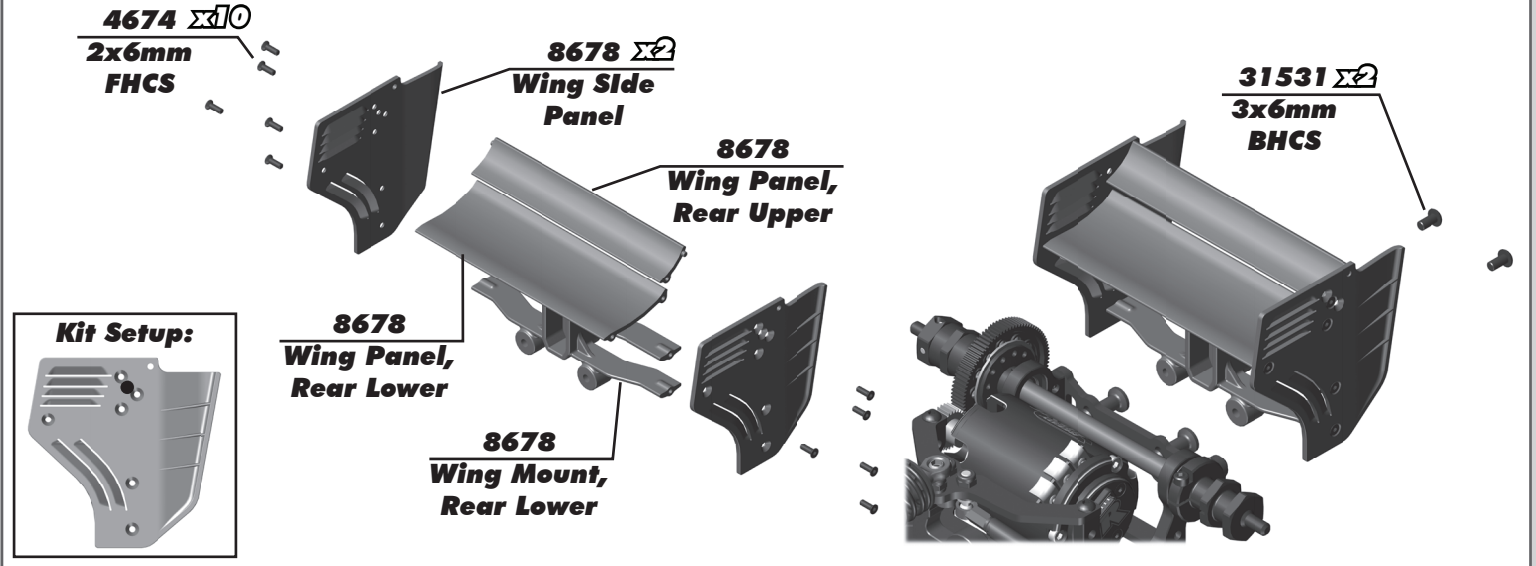
25201
3x8mm FHCS

3897 $\Sigma 3$
Body Pivot

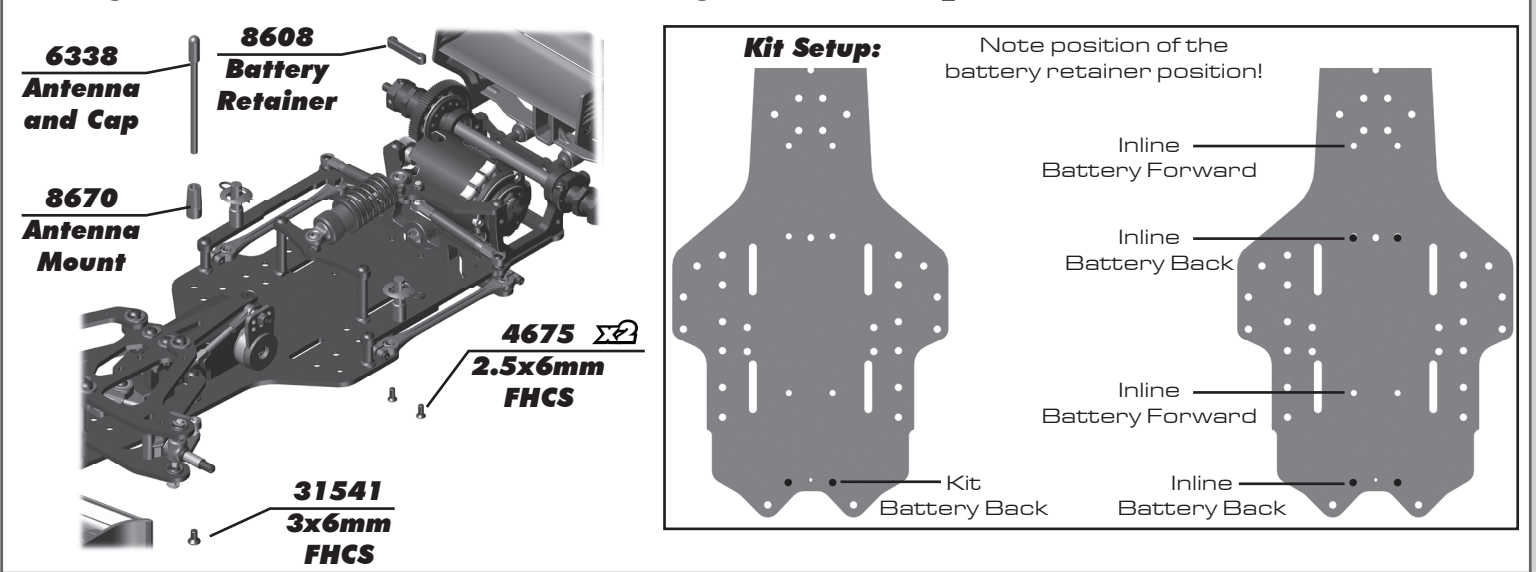
1736 $\Sigma 3$
Small Body Clip

89217 $\Sigma 2$
4x14mm FHCS

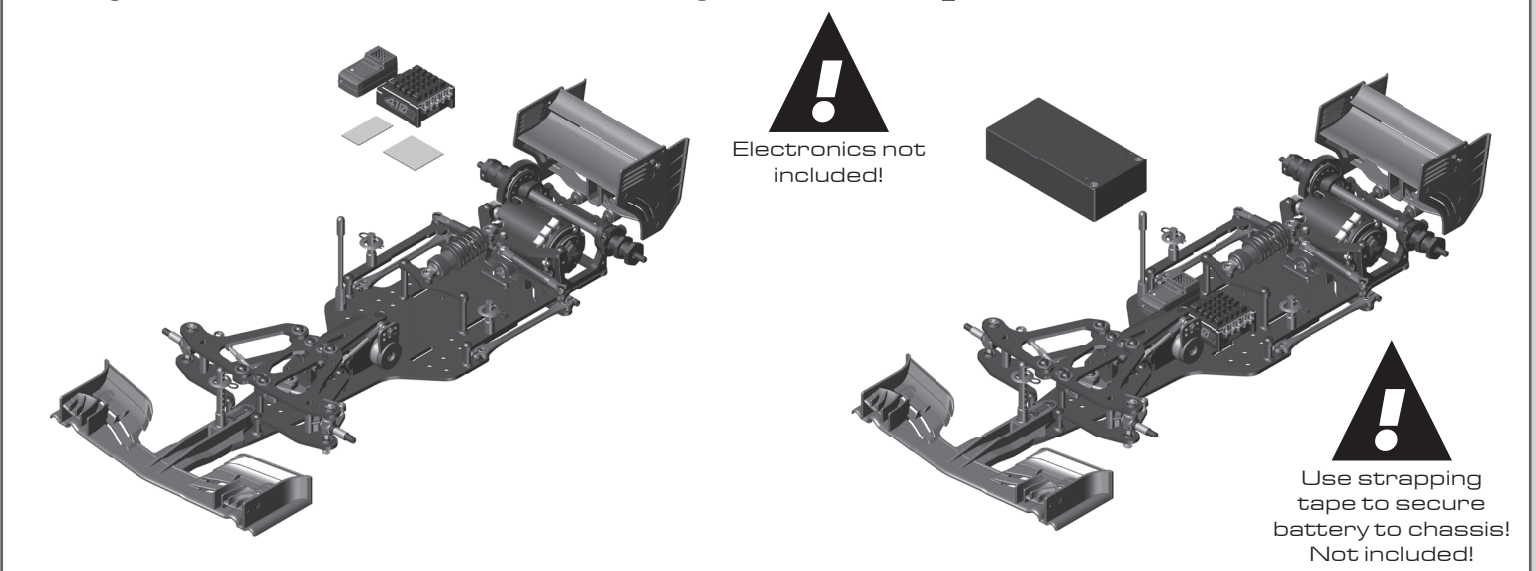
:: Wings / Electronics / Wheels Build - Bag 5.1, 5.2 - Step 4



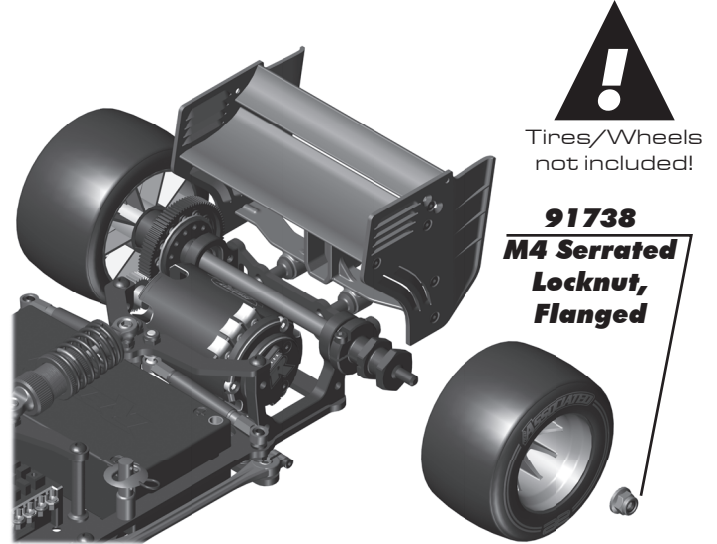
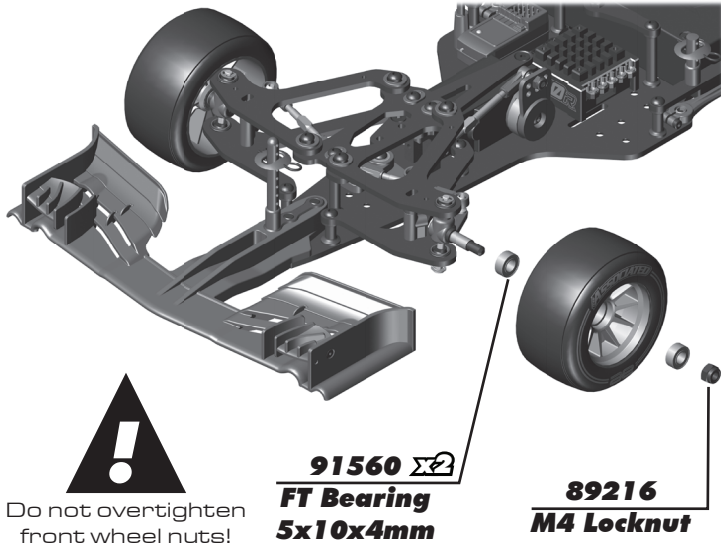
:: Wings / Electronics / Wheels Build - Bag 5.1, 5.2 - Step 5



:: Wings / Electronics / Wheels Build - Bag 5.1, 5.2 - Step 6



:: Wings / Electronics / Wheels Build - Bag 5.1, 5.2 - Step 7



:: Wings / Electronics / Wheels Build - Bag 5.1, 5.2 - Step 8



Painting Tips:

Your F6 does not come with a clear polycarbonate body. You will need to prep the body before you can paint it. Wash the inside thoroughly with warm water and liquid detergent. Dry the body using a clean, soft, lint-free cloth.

RC cars get painted from the inside. Using high quality masking tape, apply tape to the inside of the body to create a design. Spray (either rattle can or airbrush) the paint to the inside of the body (preferably dark colors first, lighter colors last).

NOTE: use ONLY paint that is recommended for use with (polycarbonate) plastics. If you don't, you can destroy the plastic body!!!!).

After painting, cut the body along the trim lines. Make sure to drill or use a body reamer to make the holes for the body mounts and antenna!

:: OPTIONAL Forward Servo Build - Step 1

8656
RC10F6 Forward Servo Mount, Front

8654
Front Top Plate Standoff (FWD Servo)

25201 $\Sigma 5$
3x8mm FHCS

8656
RC10F6 Forward Servo Mount, Rear

81257
3x6mm Set Screw

#1596 thread lock

8652
Suspension Arm Standoff, Upper

3.8mm

Build four!

:: OPTIONAL Forward Servo Build - Step 2

8658 $\Sigma 3$
RC10F6 Caster Bushing

8658 $\Sigma 4$
RC10F6 Camber Bushing

31531 $\Sigma 6$
3x6mm BHCS

8636
RC10F6 Front Top Plat (FWD Servo)

Camber	
	1.0°
	1.5° - KIT
	2.0°
	2.5°

Caster	
	3°
	6°
	9° - KIT
	12°

:: OPTIONAL Forward Servo Build - Step 3

31531 $\Sigma 4$
3x6mm BHCS

Servo not included!

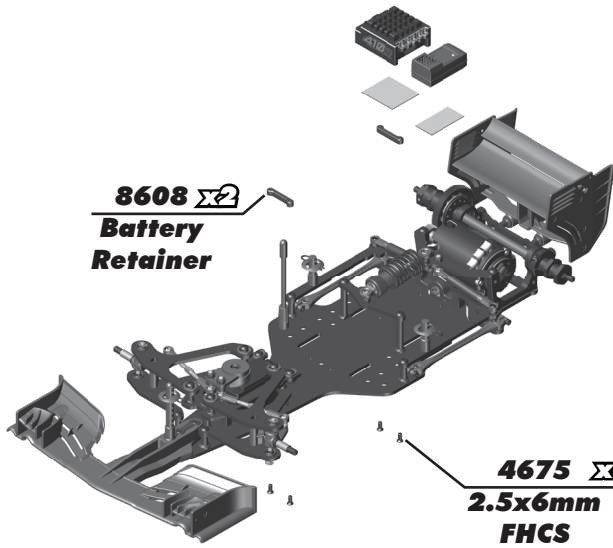
31550 $\Sigma 2$
FT Aluminum M3 Locknut, Blue

31383 $\Sigma 4$
Aluminum Ballstud Washer, 5.5x2mm

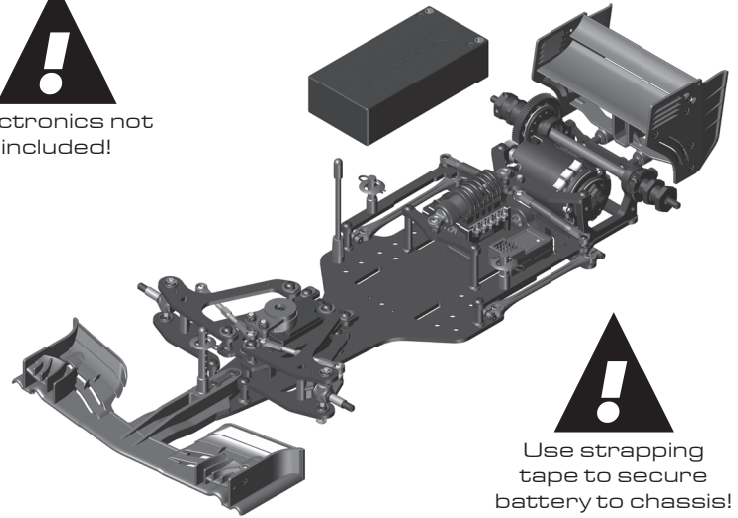
31285 $\Sigma 2$
Ballstud 10mm, Long

31531
3x6mm BHCS

:: OPTIONAL Forward Servo Build - Step 4




Electronics not
included!



:: Notes

:: Shock

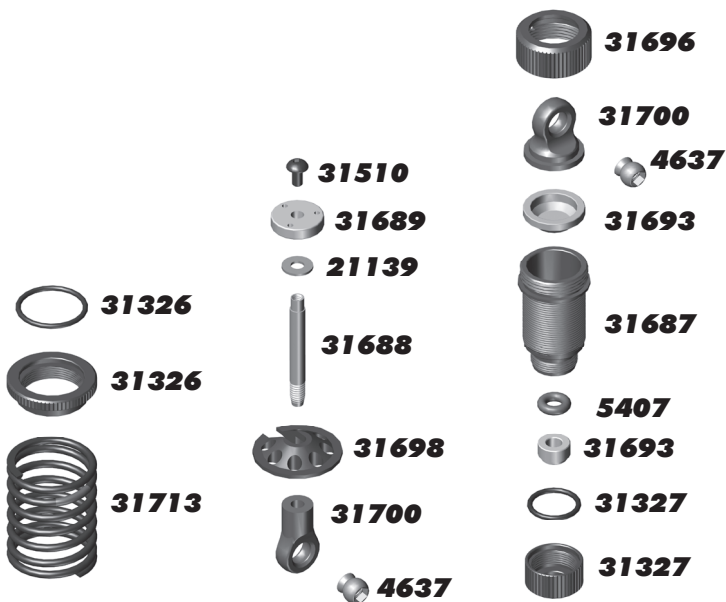
4637	FT Pivot Balls	8
5407	Red O-Rings	8
21139	2.6x6mm Washers	20
31326	FT VCS3 Shock Collars & O-Rings	2
31327	FT VCS3 Shock Bottom Caps & O-Rings	2
31510	2x4mm BHCS	10
31687	FT FOX(R) Shock Bodies w/Genuine Kashima Coat	2
31688	Shock Shafts	2
31693	Shock Rebuild Kit	1
31696	Shock Cap Retainers	2
31698	Shock Spring Cups	2
31700	Shock Eyelet Set	2ea.
91493	FT Low Friction X-Rings	8

:: Pistons

31689	Shock Pistons, 3x1.1	4
31690	FT Shock Pistons, 3x1.1, Grooved	4

:: Springs

31712	TC Spring (Brown), 12.0lbs	Pr.
31713	TC Spring, (Black), 12.5lbs - Kit	Pr.
31714	TC Spring, (Green), 13.0lbs	Pr.
31715	TC Spring, (White), 13.8lbs	Pr.
31716	TC Spring, (Gray), 15.0lbs	Pr.
31717	TC Spring, (Blue), 15.9lbs	Pr.
31718	TC Spring, (Yellow), 16.8lbs	Pr.



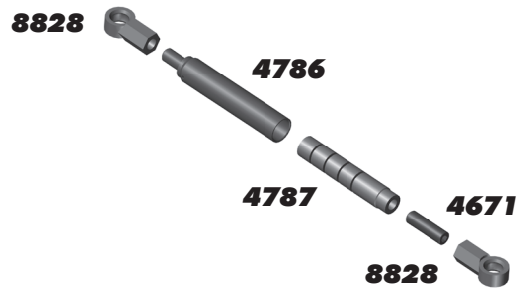
:: Shock Fluid

5420	10 Weight Silicone Shock Fluid	2oz.
5427	15 Weight Silicone Shock Fluid	2oz.
5421	20 Weight Silicone Shock Fluid	2oz.
5424	22.5 Weight Silicone Shock Fluid	2oz.
5428	25 Weight Silicone Shock Fluid	2oz.
5426	27.5 Weight Silicone Shock Fluid	2oz.
5422	30 Weight Silicone Shock Fluid	2oz.
5432	32.5 Weight Silicone Shock Fluid	2oz.
5429	35 Weight Silicone Shock Fluid	2oz.
5433	37.5 Weight Silicone Shock Fluid	2oz.
5423	40 Weight Silicone Shock Fluid	2oz.
5434	42.5 Weight Silicone Shock Fluid	2oz.
5430	45 Weight Silicone Shock Fluid	2oz.
5438	47.5 Weight Silicone Shock Fluid	2oz.
5435	50 Weight Silicone Shock Fluid	2oz.
5431	55 Weight Silicone Shock Fluid	2oz.
5436	60 Weight Silicone Shock Fluid	2oz.
5437	70 Weight Silicone Shock Fluid	2oz.
5425	80 Weight Silicone Shock Fluid	2oz.



:: Damper Tubes

4671	3x10mm Set Screws	10
4786	Damper Tube	1
4787	Damper Tube Shaft	2
8828	Anti-roll Bar Cups	2



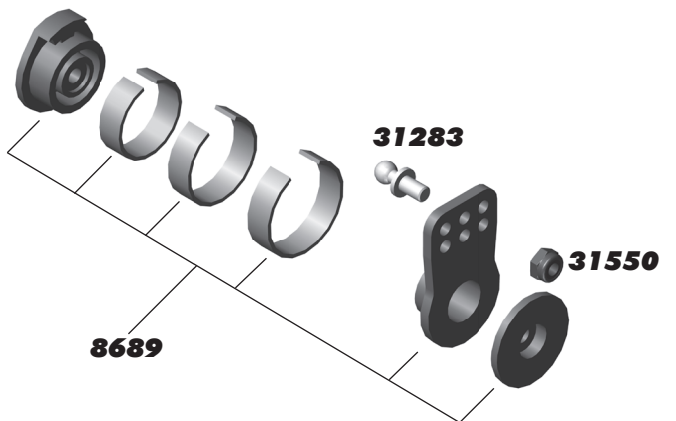
:: Turnbuckles

4404	3x45mm Turnbuckle	2
6266	3x38mm Turnbuckle - Kit	2
9175	3x58mm Turnbuckle - Kit	4
31305	Turnbuckle Eyelets	4



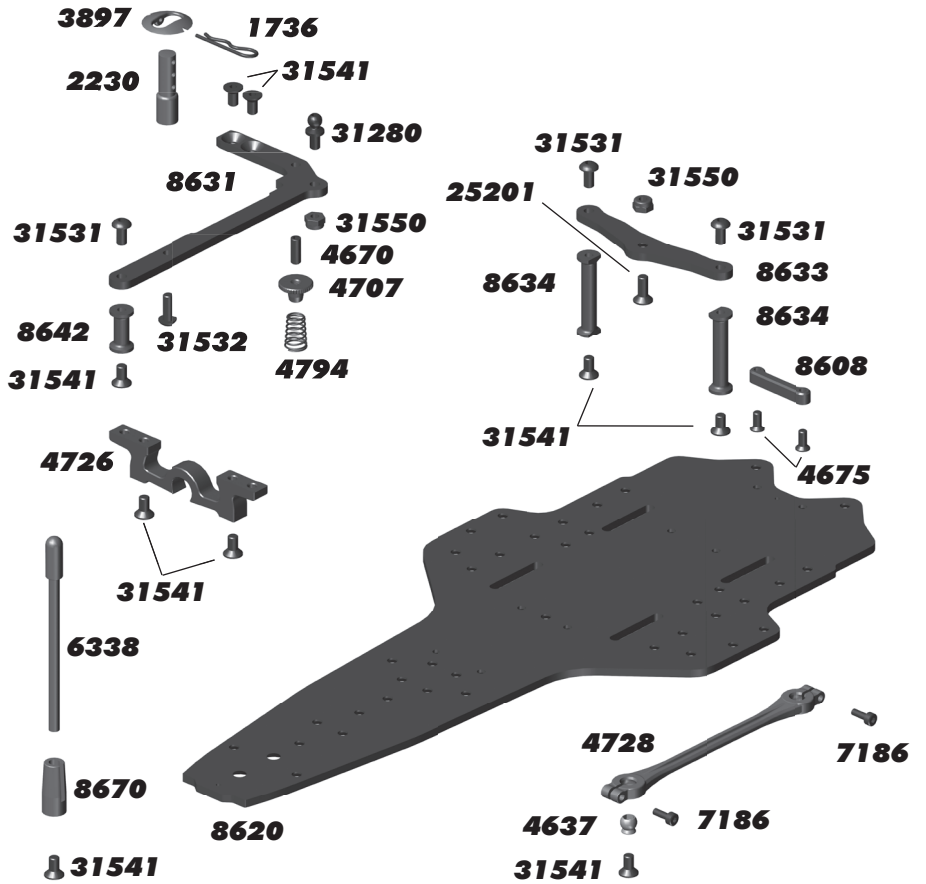
:: Servo Saver

8689	RC10F6 Servo Saver	1
31283	Ballstuds, Long - 5mm	10
31550	FT Aluminum Locknuts, M3	6



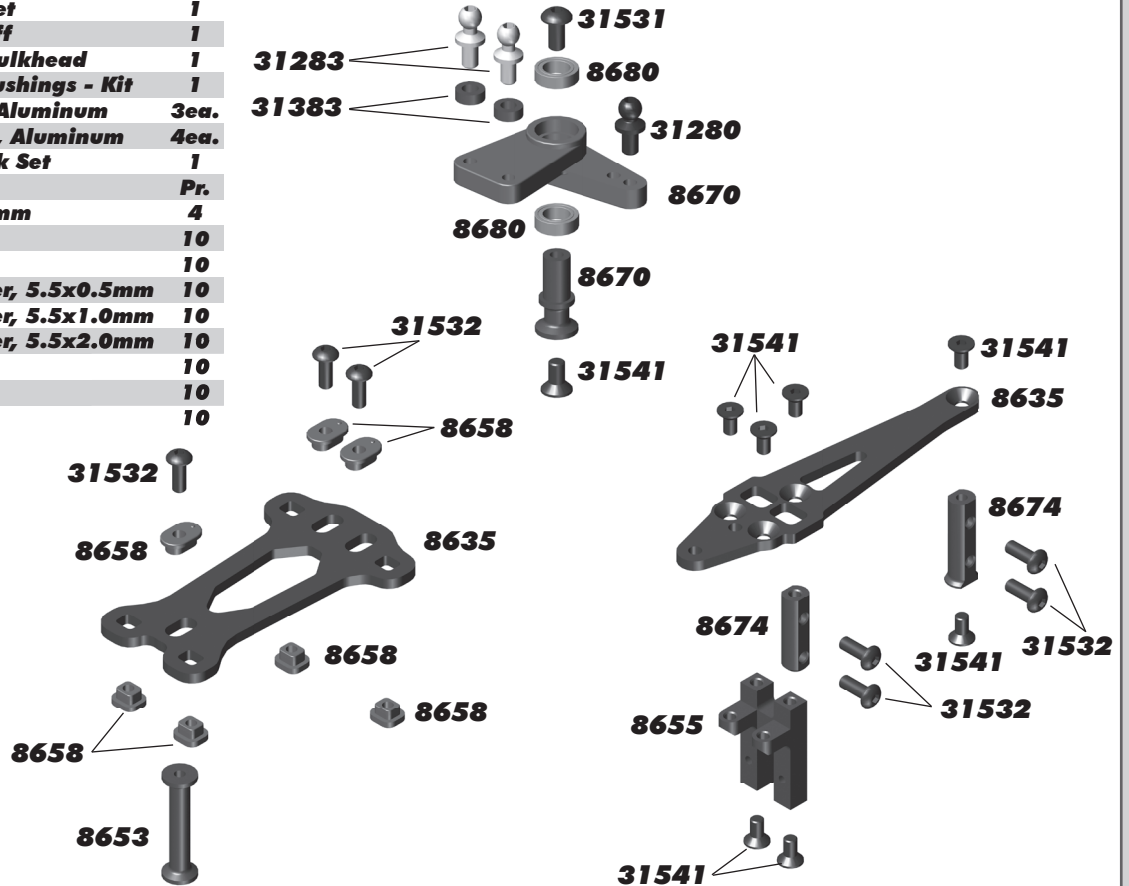
:: Chassis

1736	FT Body Clips, Metallic Blue, Short	6
2230	Body Mounts	2
3897	Pivoting Body Mounts	4
4637	FT Pivot Balls	8
4670	3x8mm Set Screws	10
4675	2.5x6mm FHCS	10
4707	Side Spring Retainers	2
4726	Pivot Brace	1
4728	Rear Pod Link	2
4790	Side Spring, 3.9lb/in - Black	2
4791	Side Spring, 4.2lb/in - Green	2
4792	Side Spring, 4.7lb/in - Gray	2
4793	Side Spring, 5.2lb/in - White	2
4794	Side Spring, 5.8lb/in - Blue - Kit	2
6338	Antenna Tube, 12"	1
7186	2x6mm SHCS	10
8608	Battery Retainer	2
8620	RC10F6 Chassis	1
8631	RC10F6 Chassis Brace Set	1
8633	RC10F6 Shock Mount	1
8634	RC10F6 Shock Mount Standoff	2
8642	RC10F6 Chassis Brace Standoff	2
8670	RC10F6 Antenna Mount	1
25201	3x8mm FHCS	20
31280	Ballstuds, Short - 5mm	10
31384	Aluminum Bulkhead Shims, 0.5mm	10
31385	Aluminum Bulkhead Shims, 1.0mm	10
31386	Aluminum Bulkhead Shims, 2.5mm	10
31531	3x6mm BHCS	10
31532	3x8mm BHCS	10
31541	3x6mm FHCS	10
31550	FT Aluminum Locknuts, M3	6



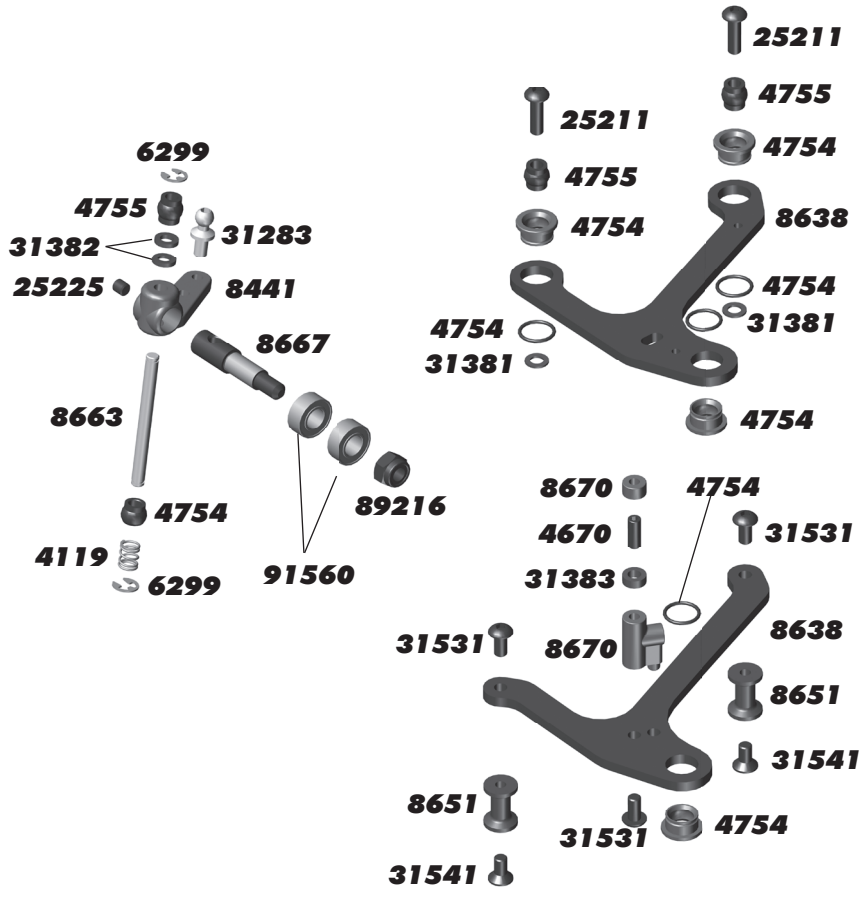
:: Steering/Front End

8635	RC10F6 Front Top Plate Set	1
8653	RC10F6 Top Plate Standoff	1
8655	RC10F6 Front Top Plate Bulkhead	1
8658	RC10F6 Camber/Caster Bushings - Kit	1
8659	RC10F6 Caster Bushings, Aluminum	3ea.
8661	RC10F6 Camber Bushings, Aluminum	4ea.
8670	RC10F6 Steering Bellcrank Set	1
8674	RC10F6 Servo Mounts	Pr.
8680	FT Ball Bearing, 5x8x2.5mm	4
31280	Ballstuds, Short - 5mm	10
31283	Ballstuds, Long - 5mm	10
31381	Aluminum Ballstud Washer, 5.5x0.5mm	10
31382	Aluminum Ballstud Washer, 5.5x1.0mm	10
31383	Aluminum Ballstud Washer, 5.5x2.0mm	10
31531	3x6mm BHCS	10
31532	3x8mm BHCS	10
31541	3x6mm FHCS	10



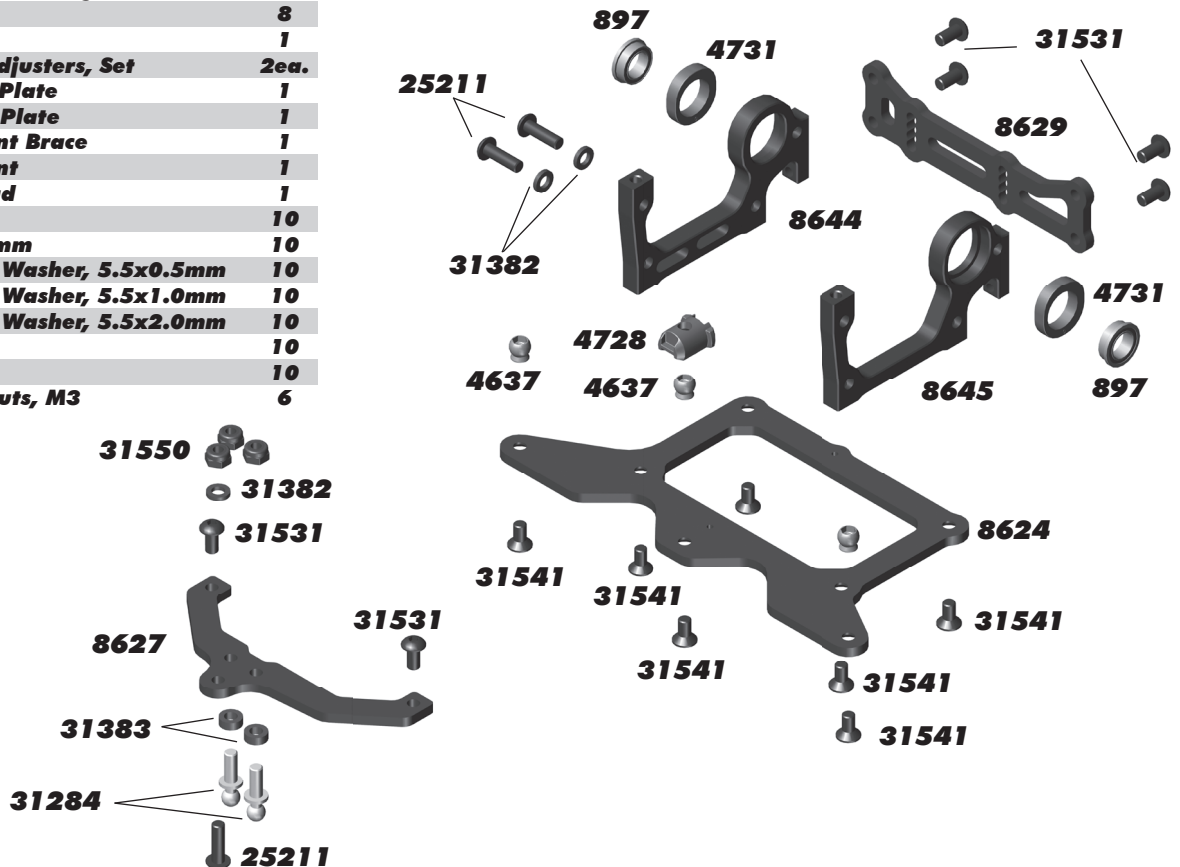
:: Front Suspension

4113	King Pin Springs (.020)	2
4114	King Pin Springs (.018)	2
4116	King Pin Springs (.024)	2
4117	King Pin Springs (.022)	2
4118	King Pin Springs (.014)	2
4119	King Pin Springs (.016) - Kit	2
4670	3x8mm Set Screws	10
4754	Suspension Arm Pivot Ball Bushing	8
4755	Suspension Arm Pivot Ball Set	1
6299	E-Clip	16
8441	Inline Steering Blocks	Pr.
8638	RC10F6 Suspension Arm, Lower	Pr.
8651	RC10F6 Suspension Arm Standoff	4
8663	RC10F6 Kingpin, 3x31mm	2
8667	RC10F6 Front Axle	2
8670	RC10F6 Steering Bellcrank Set	1
25211	3x10mm BHCS	10
25225	3x3mm Set Screw	10
31283	Ballstuds, Long - 5mm	10
31381	Aluminum Ballstud Washer, 5.5x0.5mm	10
31382	Aluminum Ballstud Washer, 5.5x1.0mm	10
31383	Aluminum Ballstud Washer, 5.5x2.0mm	10
31384	Aluminum Bulkhead Shims, 0.5mm	10
31385	Aluminum Bulkhead Shims, 1.0mm	10
31386	Aluminum Bulkhead Shims, 2.0mm	10
31531	3x6mm BHCS	10
31541	3x6mm FHCS	10
89216	Locknuts, M4 - Black	10
91560	FT Bearings. 5x10x4mm	4



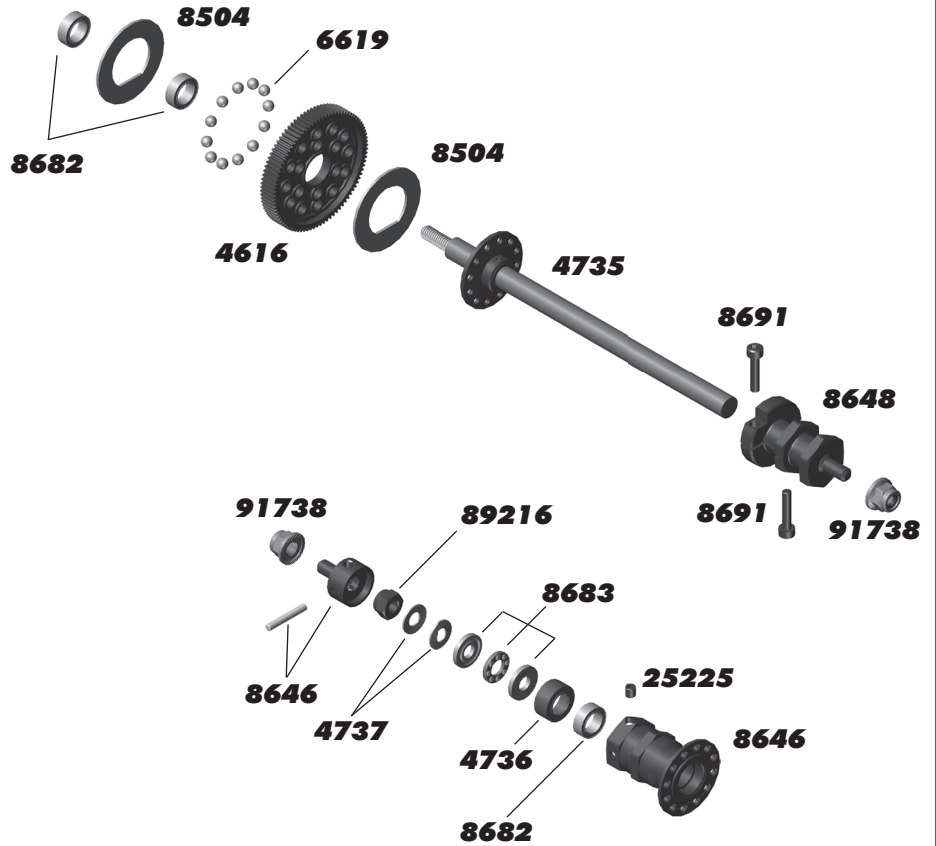
:: Rear Pod

897	Bearings, 1/4x3/8 in, Flanged	2
4637	FT Pivot Balls	8
4728	Pivot Brace Slider	1
4731	Rear Axle Height Adjusters, Set	2ea.
8624	RC10F6 Lower Pod Plate	1
8627	RC10F6 Upper Pod Plate	1
8629	RC10F6 Motor Mount Brace	1
8644	RC10F6 Motor Mount	1
8645	RC10F6 LR Bulkhead	1
25211	3x10mm BHCS	10
31284	Ballstuds, Long - 8mm	10
31381	Aluminum Ballstud Washer, 5.5x0.5mm	10
31382	Aluminum Ballstud Washer, 5.5x1.0mm	10
31383	Aluminum Ballstud Washer, 5.5x2.0mm	10
31531	3x6mm BHCS	10
31541	3x6mm FHCS	10
31550	FT Aluminum Locknuts, M3	6



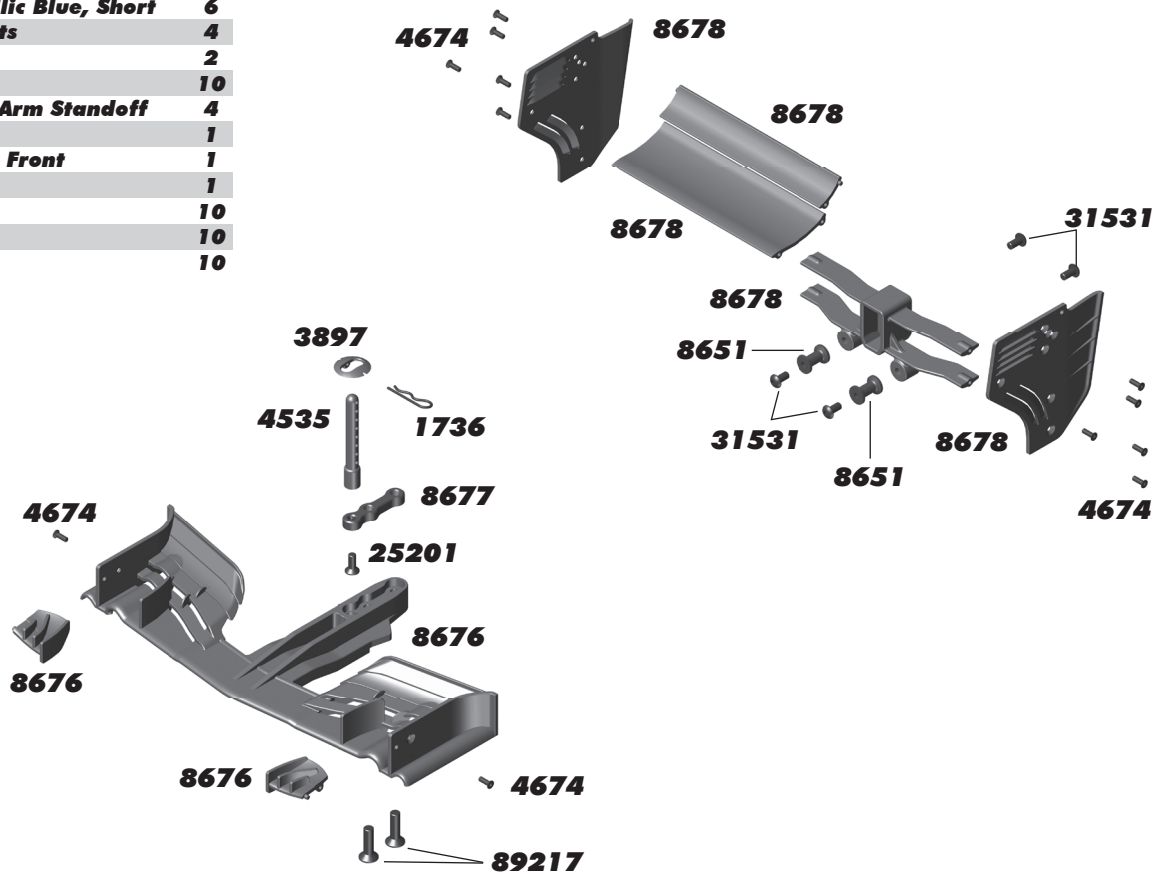
:: Rear Axle

3921	Spur Gear 69T, 48P	1
3922	Spur Gear 72T, 48P	1
3923	Spur Gear 75T, 48P	1
3924	Spur Gear 66T, 48P	1
3994	Spur Gear 73T, 48P	1
4615	Spur Gear 96T, 64P	1
4616	Spur Gear 88T, 64P - Kit	1
4462	Spur Gear 100T, 64P	1
4735	Rear Axle	1
4736	Diff Thrust Cone	1
4737	Bellville Washer	4
6619	FT Carbide Diff Balls, 1/8 in	8
8504	D-Drive Rings, for Axle	2
8646	RC10F6 Wheel Hub, Right Side	1
8648	RC10F6 Wheel Hub, Left Side	1
8682	FT Ball Bearing, .250x.375x.125 in	3
8683	FT Thrust Bearing, 4x10mm	1
8691	2.5x12mm SHCS	10
25225	3x3mm Set Screw	10
89216	Locknuts, M4 - Black	10
91738	Nuts, M4 Serrated - Black	6



:: Wings

1736	FT Body Clips, Metallic Blue, Short	6
3897	Pivoting Body Mounts	4
4535	Front Body Mount	2
4674	2x6 FHCS	10
8651	RC10F6 Suspension Arm Standoff	4
8676	RC10F6 Front Wing	1
8677	RC10F6 Wing Plate, Front	1
8678	RC10F6 Rear Wing	1
25201	3x8mm FHCS	10
31531	3x6mm BHCS	10
89217	4x14mm FHCS	10



:: Reedy Electronics

252C	Blackbox 800Z/540-M3 25.5 Combo	1
253C	Blackbox 800Z/540-M3 21.5 Combo	1
254C	Blackbox 800Z/540-M3 17.5 Combo	1
255C	Blackbox 800Z/540-M3 15.5 Combo	1
256C	Blackbox 1000Z+/540-M3 10.5 Combo	1
258C	Blackbox 1000Z+/540-M3 8.5 Combo	1
259C	Blackbox 1000Z+/540-M3 8.0 Combo	1
260C	Blackbox 1000Z+/540-M3 7.5 Combo	1
261C	Blackbox 1000Z+/540-M3 7.0 Combo	1
262C	Blackbox 1000Z+/540-M3 6.5 Combo	1
269C	Blackbox 800Z/540-M3 17.5 SS Combo	1
270C	Blackbox 800Z/540-M3 13.5 SS Combo	1
284C	Blackbox 800Z/540-M3 21.5 SS Combo	1
285C	Blackbox 800Z/540-M3 10.5 SS Combo	1
287C	Blackbox 800Z/540-M3 25.5 ROAR Combo	1
27002	Blackbox 800Z 2S Zero-Timing Competition ESC	1
27003	Blackbox 1000Z+ 2S Competition ESC	1
27004	Blackbox 510R Competition ESC	1
27005	Blackbox 510R Competition ESC w/PROgrammer2	1
27024	Blackbox Pro Capacitor Unit	1
27026	Blackbox 1000Z+ Fan w/Screws	1
27027	Blackbox PROgrammer2	1
27028	Blackbox 30x30x7mm Fan w/screws	1
27029	Blackbox Pro Modified Capacitor Unit	1
27030	Blackbox ESC/Programmer2 Connection Wire	1
27108	RS0806 Digital HV Hi-Speed LP Competition Servo	1
27109	RT1408 Digital HV Hi-Speed LP Competition Servo	1
27124	RS0806 LP Case Set	1
27125	RS0806 LP Gear Set	1
27126	RT1408 LP Case Set	1
27127	RT1408 LP Gear Set	1
29193	SC550 Brushed ESC	1
29194	SC550 Bridge Plug	1

:: Reedy Motors

252	Sonic 540-M3 25.5	1
253	Sonic 540-M3 21.5	1
254	Sonic 540-M3 17.5	1
255	Sonic 540-M3 13.5	1
256	Sonic 540-M3 10.5	1
257	Sonic 540-M3 9.5	1
258	Sonic 540-M3 8.5	1
259	Sonic 540-M3 8.0	1
260	Sonic 540-M3 7.5	1
261	Sonic 540-M3 7.0	1
262	Sonic 540-M3 6.5	1
263	Sonic 540-M3 6.0	1
264	Sonic 540-M3 5.5	1
265	Sonic 540-M3 5.0	1
266	Sonic 540-M3 4.5	1
267	Sonic 540-M3 4.0	1
268	Sonic 540-M3 3.5	1
269	Sonic 540-M3 SS 17.5 1S	1
270	Sonic 540-M3 SS 13.5 1S	1
284	Sonic 540-M3 SS 21.5 1S	1
285	Sonic 540-M3 SS 10.5 1S	1
271	Sonic 540-M3 Spec Rotor 12.0 x 7.25 x 25.3	1
272	Sonic 540-M3 Spec Rotor 12.2 x 7.25 x 25.3	1
273	Sonic 540-M3 Spec Rotor 12.5 x 7.25 x 25.3	1
274	Sonic 540-M3 Mod Rotor 12.3 x 5.0 x 25.3	1
275	Sonic 540-M3 Mod Rotor 12.5 x 5.0 x 25.3	1
276	Sonic 540-M3 Mod Rotor 13.0 x 5.0 x 25.3	1
277	Sonic 540-M3 Stainless Steel Bearing Set	1
279	Sonic 540-M3 Sensor Assembly	1
280	Sonic 540-M3 Rotor Spacer Set	1
281	Sonic 540-M3 Case Screws w/Insulator	1
282	Sonic 540-M3 Motor Mounting Plate SS	1
283	Sonic 540-M3 Motor Mounting Plate	1
286	Sonic 540-M3 Spec Rotor 12.3 x 7.25 x 25.3	1
287	Sonic 540-M3 25.5 ROAR Spec	1

:: Reedy Batteries and Chargers

302	AA Alkaline 1.5V (4)	1
304	LiPo Pro TX/RX Battery 1600mAh 7.4V Flat	1
305	LiFe Pro TX/RX Battery 1300mAh 6.6V Flat	1
315	LiPo Pro TX/RX Battery 2100mAh 7.4V Flat	1
319	LiPo 70C 3900mAh 7.4V LP Shorty	1
323	LiPo 50C 3400mAh 7.4V LP Shorty	1
607	Charge Harness 2S Standard Pack 4mm	1
611	Charge Harness 2S Standard Pack 5mm	1
637	LiPo TX Battery - M11X 2500mAh 7.4V	1
738	Wolfpack LiPo 3800mAh 7.4V 25C Shorty	1
996	5.0mm 1S-2S Balance Charge lead w/SP Clip	1
997	4.0mm 1S-2S Balance Charge lead w/SP Clip	1
27200	1216-C2 Dual AC/DC Comp. Battery Charger	1
27200CN	1216-C2 Dual AC/DC Comp. Battery Charger - CHN Plug	1
27200EU	1216-C2 Dual AC/DC Comp. Battery Charger - EURO Plug	1
27200UK	1216-C2 Dual AC/DC Comp. Battery Charger - UK Plug	1
27220	7-in-1 Universal Charge Lead (4mm)	1
27222	XH 2-6S Balance Board (4mm)	1
27223	RX Charger Lead FUT (4mm)	1
27224	US to IEC 320 C5 angle 1M AC Power Cord	1
27225	US to IEC 320 C5 angle .5M AC Power Cord	1
27226	EU to IEC 320 C5 angle 1M AC Power Cord	1
27227	UK to IEC 320 C5 angle 1M AC Power Cord	1
27228	AU to IEC 320 C5 angle 1M AC Power Cord	1
27229	CN to IEC 320 C5 angle 1M AC Power Cord	1
27305	Zappers LiPo 100C 4800mAh 7.6V 210g	1
27306	Zappers LiPo 100C 4400mAh 7.4V 210g	1
27307	Zappers LiPo 70C 5800mAh 7.6V 225g	1
27308	Zappers LiPo 70C 5400mAh 7.4V 225g	1
27310	Zappers LiPo 100C 3600mAh 7.6V LP Shorty 150g	1

:: Reedy Accessories

643	Low Profile Bullet Plug 4mm x 14mm (2)	1
644	Low Profile Bullet Plug 4mm x 14mm (10)	1
645	Low Profile Bullet Plug 5mm x 14mm (2)	1
646	Low Profile Bullet Plug 5mm x 14mm (10)	1
647	Silicone Wire 12AWG-Black (1m)	1
648	Silicone Wire 14AWG-Black (1m)	1
649	Silicone Wire 16AWG-Black (1m)	1
650	Shrink Tubing - 15pcs 4.5mm x 20mm	1
747	Silicone Wire 12AWG-Black (30m)	1
748	Silicone Wire 14AWG-Black (30m)	1
749	Silicone Wire 16AWG-Black (30m)	1
790	Silicone Wire 13AWG-Black (1m)	1
791	Silicone Wire 13AWG-Black (30m)	1
792	Low Profile Caged Bullet Plug 4mm x 14mm (2)	1
793	Low Profile Caged Bullet Plug 4mm x 14mm (10)	1
794	Low Profile Caged Bullet Plug 5mm x 14mm (2)	1
795	Low Profile Caged Bullet Plug 5mm x 14mm (10)	1
978	Flat Sensor Wire 70mm	1
979	Flat Sensor Wire 110mm	1
980	Flat Sensor Wire 150mm	1
981	Flat Sensor Wire 200mm	1
982	Flat Sensor Wire 270mm	1
994	Flat Sensor Wire 125mm	1
995	Flat Sensor Wire 175mm	1

:: Kicker

29269	KICKER KPw Wireless Speaker System, black	1
29270	KICKER KPw Wireless Speaker System, white	1

:: Pinions

1335	17T 48P Aluminum Pinion Gear	1
1336	18T 48P Aluminum Pinion Gear	1
1337	19T 48P Aluminum Pinion Gear	1
1338	20T 48P Aluminum Pinion Gear	1
1339	21T 48P Aluminum Pinion Gear	1
1340	22T 48P Aluminum Pinion Gear	1
1341	23T 48P Aluminum Pinion Gear	1
1342	24T 48P Aluminum Pinion Gear	1
1343	25T 48P Aluminum Pinion Gear	1
1344	26T 48P Aluminum Pinion Gear	1
1345	27T 48P Aluminum Pinion Gear	1
1346	28T 48P Aluminum Pinion Gear	1
1347	29T 48P Aluminum Pinion Gear	1
1348	30T 48P Aluminum Pinion Gear	1
1349	31T 48P Aluminum Pinion Gear	1
1350	32T 48P Aluminum Pinion Gear	1
1351	33T 48P Aluminum Pinion Gear	1
1352	34T 48P Aluminum Pinion Gear	1
1353	35T 48P Aluminum Pinion Gear	1

:: Tools

1111	FT Turnbuckle Wrench	1
1112	FT 4mm Turnbuckle Wrench	1
1113	12mm Big Bore Shock Tool	1
1114	FT Dual Turnbuckle Wrench	1
1450	On Road Ride Height Gauge	1
1452	FT TC Ride Height Gauge	1
1541	FT Hex Driver Set, (7 pcs)	1
1545	FT 5/64" Blue Hex Driver	1
1546	FT 3/32" Gold Hex Driver	1
1567	FT 8mm Gold Nut Driver	1
1568	FT 5.5mm Short Nut Driver	1
1569	FT 7mm Nut Driver, T-Handle	1
1570	FT 5.5mm Short Nut Driver	1
1590	FT 3/32" Gold Ball Hex Driver	1
1592	FT Ball Hex Driver Set, (3 pcs)	1
1655	FT 8-Piece 1/4" Hex Drive Set	1
1656	FT 1/4" Hex Drive Handle, without tips	1
1657	FT 1/4" Hex Drive .050" Tip	1
1658	FT 1/4" Hex Drive 1/16" Tip	1
1659	FT 1/4" Hex Drive 5/64" - 2.0mm Tip	1
1660	FT 1/4" Hex Drive 3/32" Tip	1
1661	FT 1/4" Hex Drive 1.5mm Tip	1
1662	FT 1/4" Hex Drive 2.5mm Tip	1
1663	FT 1/4" Hex Drive 3/16" Nut Driver Tip	1
1664	FT 1/4" Hex Drive 1/4" Nut Driver Tip	1
1665	FT 1/4" Hex Drive 11/32" Nut Driver Tip	1
1666	FT 1/4" Hex Drive 5.5mm Nut Driver Tip	1
1667	FT 1/4" Hex Drive 7.0mm Nut Driver Tip	1
1668	FT 1/4" Hex Drive 8.0mm Nut Driver Tip	1
1669	FT 1/4" Hex Drive 5/64" - 2.0mm Ball End Tip	1
1670	FT 1/4" Hex Drive 3/32" Ball End Tip	1
1671	FT 1/4" Hex Drive Standard Screwdriver Tip	1
1672	FT 1/4" Hex Drive Phillips Screwdriver Tip	1
1673	FT 1/4" Hex Drive 2.5mm Ball End Tip	1
1674	FT 1/4" 5 Piece Power Tool Tips Set (5/64-2.0mm, 1.5mm, 2.5mm, 5/64"- 2.0mm ball, 2.5mm ball)	1
1675	FT Shock Shaft Pliers	1
1679	FT T-Handle Ratchet Driver	1
1719	FT Camber + Track Width Tool	1
1737	FT Body Scissors	1
3718	12 Inch Nylon Wire Ties	12
3719	6 Inch Nylon Wire Ties	12
3720	8 Inch Nylon Wire Ties	12
3987	FT Droop Gauge	1
6429	Shock Building Tool	1
6956	Molded Tools, Set	1
7709	4 Inch Nylon Wire Ties	12

:: Lubes & Adhesives / Misc.

1105	FT Green Slime Shock Lube	1
1596	FT Locking Adhesive	1
1597	FT Tire Adhesive	1
5450	Silicone Diff Fluid 1,000CST	1
5451	Silicone Diff Fluid 2,000CST	1
5452	Silicone Diff Fluid 3,000CST	1
5444	Silicone Diff Fluid 4,000CST	1
5453	Silicone Diff Fluid 5,000CST	1
5446	Silicone Diff Fluid 6,000CST	1
5447	Silicone Diff Fluid 15,000CST	1
5454	Silicone Diff Fluid 7,000CST	1
5455	Silicone Diff Fluid 10,000CST	1
5456	Silicone Diff Fluid 20,000CST	1
5457	Silicone Diff Fluid 30,000CST	1
5458	Silicone Diff Fluid 60,000CST	1
5448	Silicone Diff Fluid 80,000CST	1
5459	Silicone Diff Fluid 100,000CST	1
5461	Silicone Diff Fluid 200,000CST	1
5463	Silicone Diff Fluid 500,000CST	1
5465	Silicone Diff Fluid 1,000,000CST	1
6588	Black Grease - 4cc	1
6591	S.Diff Lube - 4cc	1
6636	Silicone Grease - 4cc	1
6727	Servo Tape	2



1596

:: Apparel / Promotional

SP10*	2016 Worlds Hoodie, Black (S, M, L, XL-3XL)	1
SP11*	2016 Worlds T-shirt, blue, (S, M, L, XL-5XL)	1
SP12*	2016 Worlds T-shirt, black, (S, M, L, XL-5XL)	1
SP13**	AE Lite Jacket - Black - (S, M, L, XL, 2XL)	1
SP14**	AE 2015 Worlds T-Shirt - Blue (S, M, L, XL-5XL)	1
SP15**	AE 2015 Worlds T-Shirt - Black (S, M, L, XL-5XL)	1
SP16*	2015 Worlds Hoodie, Black (S, M, L, XL -5XL)	1
SP17**	AE INT'L T-Shirt - Black (S, M, L, XL-5XL)	1
SP18**	AE INT'L T-Shirt - White (S, M, L, XL-5XL)	1
SP19**	AE INT'L Hoodie - Black (S, M, L, XL-3XL)	1
SP20	AE Patch Trucker Hat	1
SP23**	AE Splash T-shirt - Black (S, M, L, XL-5XL)	1
SP24**	AE Splash T-shirt - Blue (S, M, L, XL-5XL)	1
SP29	Team Associated Countertop / Setup Mat	1
SP30	Team Associated Pit Mat	1
SP31	Reedy Countertop / Setup Mat	1
SP38	Reedy Trucker Hat	1
SP71**	AE Winter Jacket - Black (S, M, L, XL, 2XL)	1
SP110*	Reedy R-Powered T-Shirt - Black (S, M, L, XL-3XL)	1
SP111*	Reedy W15 Sweatshirt - Black (S, M, L, XL-3XL)	1
SP112*	Reedy Medallion T-Shirt - Black (S, M, L, XL-3XL)	1
SP113*	AE Worlds Car Retro T-Shirt, (S, M, L, XL-3XL)	1
SP114*	Circuit T-Shirt - Black (S, M, L, XL-3XL)AE 2012	1
SP421S	Hat, Black, Flat Bill, S/M	1
SP421L	AE 2012 Hat, Black, Flat Bill, L/XL	1
SP422S	AE 2012 Hat, Black, Curved Bill, S/M	1
SP422L	AE 2012 Hat, Black, Curved Bill, L/XL	1
SP423S	AE 2012 Hat, White, Flat Bill, S/M	1
SP423L	AE 2012 Hat, White, Flat Bill, L/XL	1
SP424S	AE 2012 Hat, White, Curved Bill, S/M	1
SP424L	AE 2012 Hat, White, Curved Bill, L/XL	1
SP425	FT Fluid Carrier	1
726	Reedy 2016 Sticker Sheet	1
110684	Team Associated Track Banner	1
110685	Team Associated Cloth Banner	1
SP115	Reedy Circuit Cloth Banner	1

** Use part number plus the desired size when ordering!

Associated Electrics, Inc.
 26021 Commercentre Drive
 Lake Forest, CA 92630-8853 USA
<http://www.RC10.com>
http://twitter.com/Team_Associated
<https://www.instagram.com/teamassociatedrc/>
<http://www.facebook.com/TeamAssociated/>
 call: (949) 544-7500
 fax: (949) 544-7501

Track Info:

Size: Small Medium
 Large X-Large

Surface: Carpet Asphalt
 Indoor Outdoor

Traction: Low Medium
 High Wet

Condition: Bumpy Smooth

Temperature: Ambient Track

Notes:

Vehicle Info:

Body:

Weight:

Notes:

Shock:

Piston: 3x1.1

Fluid: 30wt

Spring: Black

Rebound: 25%

Pre Load: 7.3mm

Free Length: 64.8mm

Notes:

Electronics:

Radio:

Servo:

EPA: Throttle: _____ % Brake: _____ %

ESC:

ESC Settings:

Motor:

Timing:

Pinion: _____ **Spur:** _____

Battery:

Notes:

Tires:

Front Tires:

Front Insert:

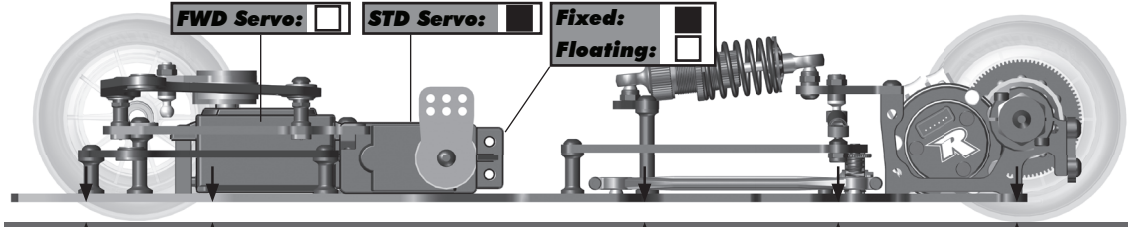
Rear Tire:

Rear Insert:

Wheel (F/R):

Notes:

	Left	Right
Front Tire Additive:		
Additive Time:		
Rear Tire Additive:		
Additive Time:		



Droop: _____ **Ride Height:** _____ **Ride Height:** _____ **Droop:** _____ **Ride Height:** _____

Shim: 0.5mm **Shim: 0** **Shim: 0.5mm** **Shim: 2mm** **Shim: 0**

Kingpin Fluid: 10k

Spring: 0.016 **Shim: 0** **Shim: 0**

Camber: 1.0° 1.5° 2.0° 2.5°

Plastic:

Aluminum:

Pre Load **Free Length**

Damper Tube: _____

Fluid: 10k

Caster: 3° 6° 9° 12°

Plastic:

Aluminum:

Axle Height: 1.0 0.75 0.5 0.25 0 0.25 0.5 0.75 1.0 **STD +1mm**

Shim: 0 **Shim: 1mm** **Spring: Blue**

Shim: 0 **Shim: 0** **Shim: 0**

Width: _____ **Axle Shim: 0** **Axle Shim: 0** **Width:** _____

Rear Wing Angle:

Rear Wing Height:

Front Wing: Kit

Steering Bellcrank: Short Long

Battery:

Transvers:

Fwd Back

In-line:

Fwd Back

Rear Wing: Kit

Track Info:

Size: Small Medium
 Large X-Large

Surface: Carpet Asphalt
 Indoor Outdoor

Traction: Low Medium
 High Wet

Condition: Bumpy Smooth

Temperature: Ambient Track

Notes:

Vehicle Info:

Body:

Weight:

Notes:

Shock:

Piston:

Fluid:

Spring:

Rebound:

Pre Load:

Free Length:

Notes:

Electronics:

Radio:

Servo:

EPA: Throttle: _____ % Brake: _____ %

ESC:

ESC Settings:

Motor:

Timing:

Pinion: _____ **Spur:** _____

Battery:

Notes:

Tires:

Front Tires:

Front Insert:

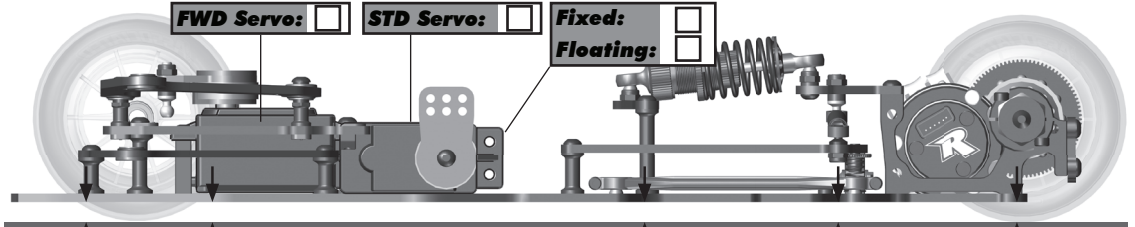
Rear Tire:

Rear Insert:

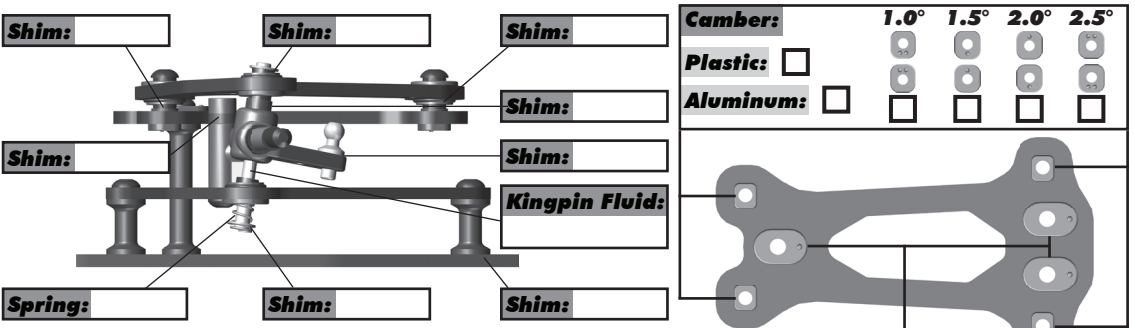
Wheel (F/R):

Notes:

	Left	Right
Front Tire Additive:	<input type="text"/>	<input type="text"/>
Additive Time:	<input type="text"/>	<input type="text"/>
Rear Tire Additive:	<input type="text"/>	<input type="text"/>
Additive Time:	<input type="text"/>	<input type="text"/>



Droop: _____ **Ride Height:** _____ **Ride Height:** _____ **Droop:** _____ **Ride Height:** _____



Shim: _____ **Shim:** _____ **Shim:** _____ **Shim:** _____ **Shim:** _____ **Shim:** _____

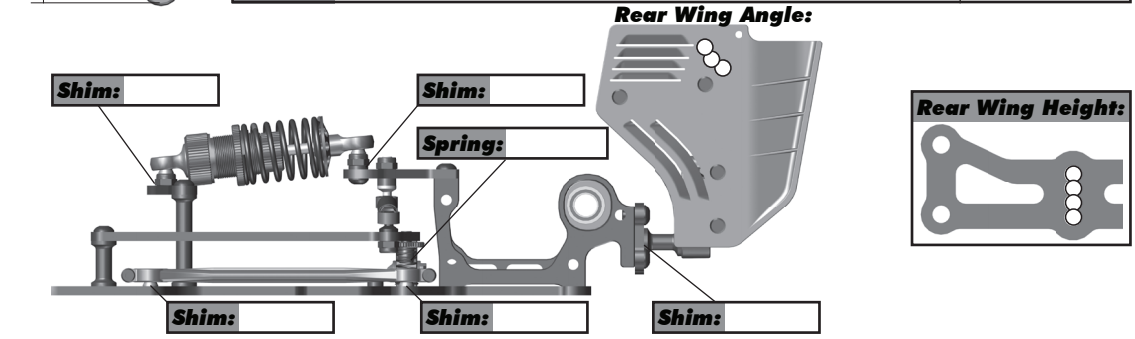
Spring: _____ **Shim:** _____ **Shim:** _____

Pre Load **Free Length**

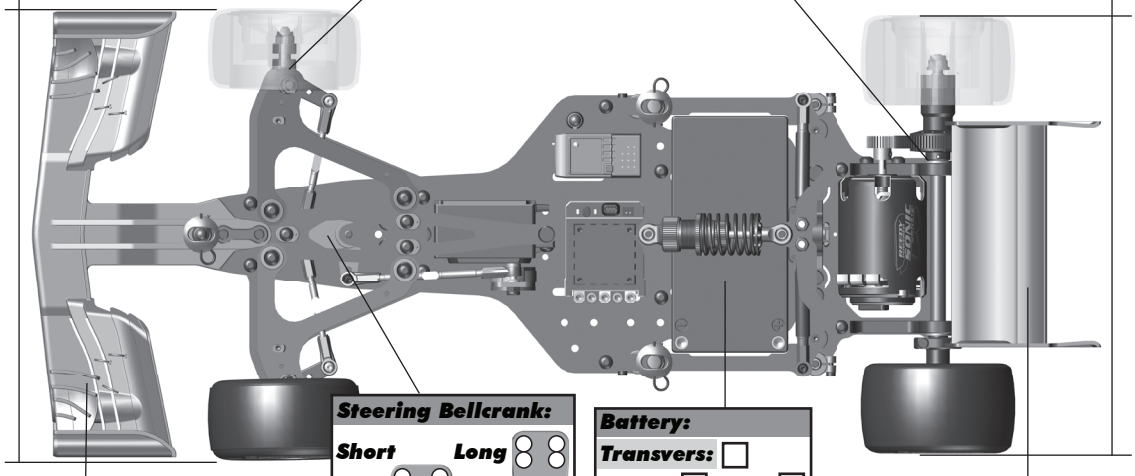
Damper Tube: _____ **Fluid:** _____

Caster: 3° 6° 9° 12°
 Plastic: Aluminum:

Axle Height: 1.0 0.75 0.5 0.25 0 0.25 0.5 0.75 1.0 STD +1mm



Width: _____ **Axle Shim:** _____ **Axle Shim:** _____ **Width:** _____



Front Wing: _____ **Rear Wing:** _____

Steering Bellcrank: Short Long

Battery: Transvers: Fwd Back
 Inline: Fwd Back



**Associated Electrics, Inc.
26021 Commercentre Dr.
Lake Forest, CA 92630 USA**

<http://www.RC10.com>

https://twitter.com/Team_Associated

<https://www.instagram.com/teamassociatedrc/>

<https://www.facebook.com/TeamAssociated/>

call: (949) 544-7500 - fax: (949) 544-7501

**Check out the following web sites for all of our kits,
current products, new releases, setup help, tips, and racing info!
www.TeamAssociated.com - www.RC10.com**